



Dell™ Systems

# Rack-to-Tower Conversion Guide



# Notes, Notices, and Cautions

 **NOTE:** A NOTE indicates important information that helps you make better use of your computer.

 **NOTICE:** A NOTICE indicates either potential damage to hardware or loss of data and tells you how to avoid the problem.

 **CAUTION: A CAUTION indicates a potential for property damage, personal injury, or death.**

---

**Information in this document is subject to change without notice.**

**© 2002 Dell Computer Corporation. All rights reserved.**

Reproduction in any manner whatsoever without the written permission of Dell Computer Corporation is strictly forbidden.

Trademarks used in this text: *Dell* and the *DELL* logo are trademarks of Dell Computer Corporation.

Other trademarks and trade names may be used in this document to refer to either the entities claiming the marks and names or their products. Dell Computer Corporation disclaims any proprietary interest in trademarks and trade names other than its own.

**June 2002 P/N 5T372 Rev. A00**

# Contents


- Rack-to-Tower Kit Contents . . . . . 1-2**
- Before You Begin . . . . . 1-4**
  - Removing the Rack Doors . . . . . 1-4
  - Recommended Tools and Supplies . . . . . 1-4
  - Conversion Tasks. . . . . 1-4
- Removing the Rack Doors . . . . . 1-5**
- Removing the Cable-Management Arm . . . . . 1-5**
- Removing the System From the Rack . . . . . 1-7**
- Removing the Bezel, Cover, and Front Panel . . . . . 1-9**
- Installing the Tower Left-Side Trim Panel . . . . . 1-11**
- Installing the Tower Front Panel. . . . . 1-11**
- Installing the Cover, Feet, and Bezel. . . . . 1-12**
- Removing the Slide Assemblies . . . . . 1-12**
- Replacing the Rack Doors . . . . . 1-13**

## Figures

- Figure 1-1. Rack-to-Tower Kit Contents. . . . . 1-3
- Figure 1-2. Removing the Cable-Management Arm. . . . . 1-6
- Figure 1-3. Removing the System From the Slide Assemblies . . . . . 1-8
- Figure 1-4. Removing or Replacing the Front Bezel . . . . . 1-9


Figure 1-5.	Removing the System Cover.....	1-10
Figure 1-6.	Installing the Tower Front Panel .....	1-11
Figure 1-7.	Removing the Slide Assemblies .....	1-13

This conversion guide provides instructions for trained service technicians in removing one or more systems from a rack cabinet and converting the system to a tower version. One rack-to-tower conversion kit is required for each system to be converted from rack version system to a tower version system.

 **CAUTION: The system may weigh up to 43 kilograms (95 pounds) when fully loaded. To prevent personal injury, do not attempt to move the system by yourself.**

## Safety Instructions


Use the following safety guidelines to ensure your own personal safety and to help protect your system from potential damage.

Throughout this safety section, the caution icon () is used to indicate cautions and precautions that you need to review and follow. For complete safety information, refer to the *System Information* document that came with your system.


### Precautions for Rack-Mountable Products

Observe the following precautions for rack stability and safety. Also refer to the rack installation documentation accompanying the system and the rack for specific caution statements and procedures.

Systems are considered to be components in a rack. Thus, "component" refers to any system as well as to various peripherals or supporting hardware.

 **CAUTION: Installing systems in a rack without the front and side stabilizers installed could cause the rack to tip over, potentially resulting in bodily injury under certain circumstances. Therefore, always install the stabilizers before installing components in the rack.**

**After installing system/components in a rack, never pull more than one component out of the rack on its slide assemblies at one time. The weight of more than one extended component could cause the rack to tip over and may result in serious injury.**

 **NOTE:** Your system is safety-certified as a free-standing unit and as a component for use in a Dell rack cabinet using the customer rack kit. The installation of your system and rack kit in any other rack cabinet has not been approved by any safety agencies. It is your responsibility to have the final combination of system and rack kit in a rack cabinet evaluated for suitability by a certified safety agency. Dell disclaims all liability and warranties in connection with such combinations.

- System rack kits are intended to be installed in a rack by trained service technicians. If you install the kit in any other rack, be sure that the rack meets the specifications of a Dell rack.



**CAUTION: Do not move racks by yourself. Due to the height and weight of the rack, a minimum of two people should accomplish this task.**

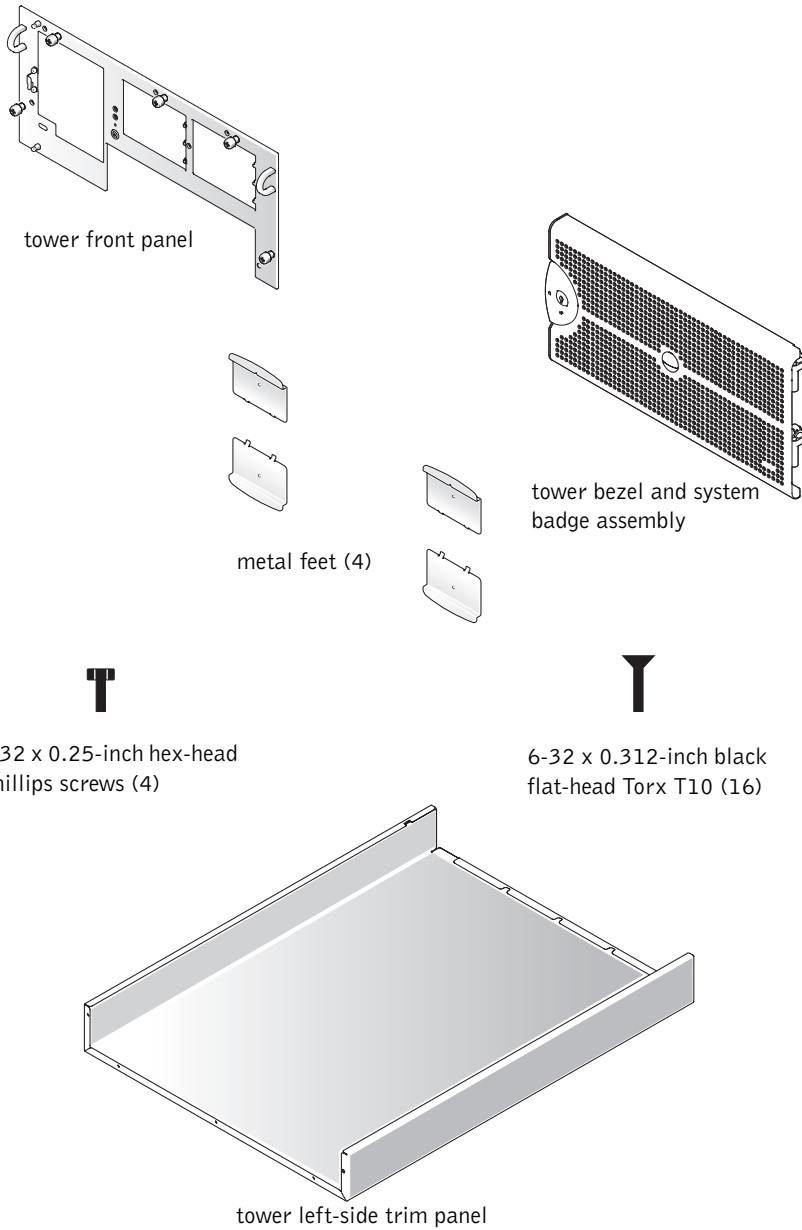
- Before working on the rack, make sure that the stabilizers are secured to the rack, extended to the floor, and that the full weight of the rack rests on the floor. Install front and side stabilizers on a single rack or front stabilizers for joined multiple racks before working on the rack.
- Always load the rack from the bottom up, and load the heaviest item in the rack first.
- Make sure that the rack is level and stable before extending a component from the rack.
- Use caution when pressing the component rail release latches and sliding a component into or out of a rack; the slide rails can pinch your fingers.
- After a component is inserted into the rack, carefully extend the rail into a locking position, and then slide the component into the rack.
- Do not overload the AC supply branch circuit that provides power to the rack. The total rack load should not exceed 80 percent of the branch circuit rating.
- Ensure that proper airflow is provided to components in the rack.
- Do not step on or stand on any component when servicing other components in a rack.

## Rack-to-Tower Kit Contents

The rack-to-tower kit includes the following items (see Figure 1-1):

- One tower bezel and system badge assembly, complete with keylock, and keys
- One tower front panel
- One tower left-side trim panel
- Four metal feet
- Four 6-32 x 0.25-inch hex-head Phillips screws
- Sixteen 6-32 x 0.312-inch black flat-head Torx screws

**Figure 1-1. Rack-to-Tower Kit Contents**



# Before You Begin

Before you begin removing your system from the rack and converting it to a tower version system, carefully read "Safety Instructions."

## Removing the Rack Doors

See the procedures for removing doors in the documentation provided with your rack cabinet.

## Recommended Tools and Supplies

The following tools are required to perform the conversion:

- A #2 Phillips screwdriver
- A flat-blade screwdriver
- Torx T-10 driver (for removing and installing the front panels)

## Conversion Tasks

Removing a system from the rack and removing the rack mounting hardware from the rack cabinet includes the following tasks:

- Removing the rack doors
- Removing the cable-management arm and the cable tray
- Removing the system from the rack
- Removing the cover, bezel, and front panel
- Installing the tower left-side trim panel
- Installing the tower front panel
- Installing the metal feet
- Installing the tower front bezel
- Removing the slide assemblies
- Replacing the rack doors



## Removing the Rack Doors

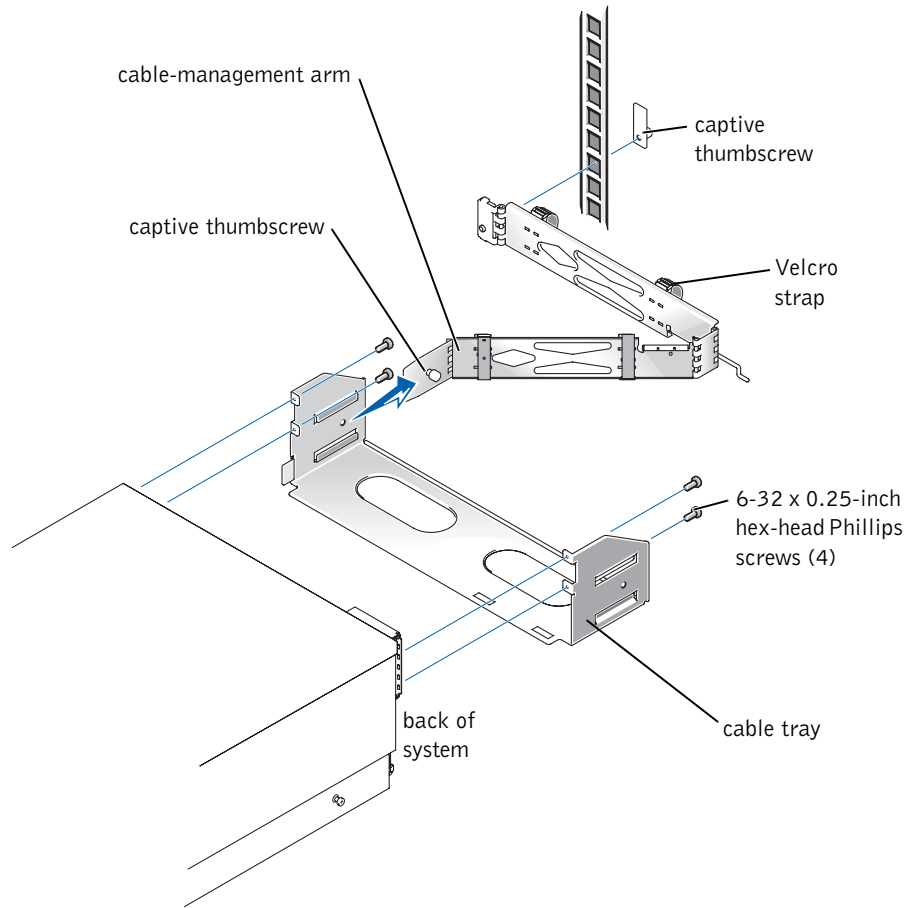
You must remove the doors from the rack cabinet to provide access to the interior of the rack and to prevent damage to the doors while removing the system and its rack kit from the rack cabinet.

See the documentation provided with the rack for instructions on removing rack doors. If you are removing a system from a rack cabinet, see the procedures contained in the system *Rack Installation Guide*.

## Removing the Cable-Management Arm


- 1 Shut down and turn off the system you are removing and all peripherals attached to this system.
- 2 At the back of the rack cabinet, disconnect and remove the AC power cable and all cables connected to the back of the system and secured to the cable-management arm with the arm's Velcro straps.
- 3 Loosen the captive thumbscrew securing the front of the cable-management arm to the cable tray (see Figure 1-2).
- 4 Pull the cable-management arm from the cable tray.
- 5 Remove the captive thumbscrew and its bracket that secures the back end of the cable-management arm to the back vertical rail (see Figure 1-2).


**Figure 1-2. Removing the Cable-Management Arm**



- 6 Remove the cable tray from the back of the system by removing the four 6-32 x 0.25-inch hex-head Phillips screws (see Figure 1-2).

# Removing the System From the Rack

 **CAUTION:** If you are removing more than one system from the rack cabinet, remove the highest of the systems to be removed first. Complete the removal of the first system from the rack before starting the second. Never extend more than one system from the rack at a time.

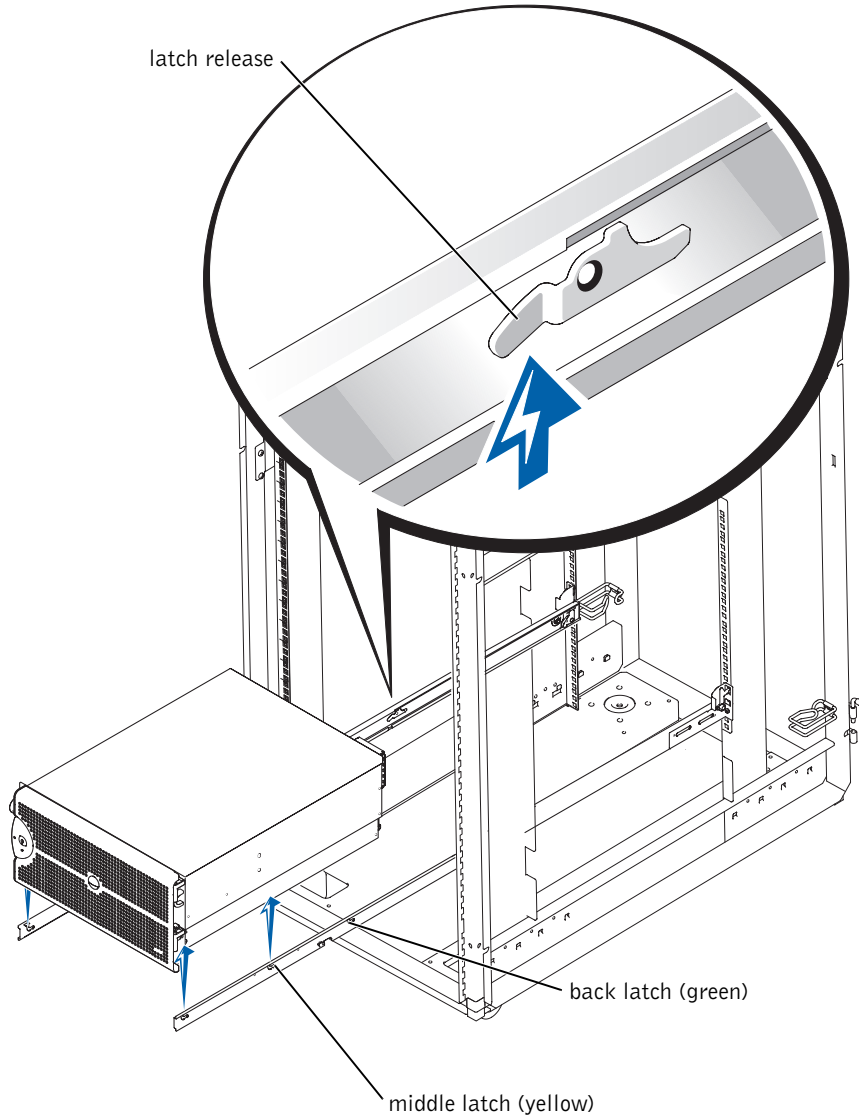
 **CAUTION:** Removing a system from a position high up in the rack cabinet will require up to four people and may require a sturdy, elevated platform to stand on. A mechanical lifting platform or similar equipment of the proper capacity may also be useful. If you attempt to remove and lower the system without enough people to safely perform the task, you risk personal injury to yourself and to others and damage to the system.

- 1 Loosen the thumbscrews that secure the front panel to the front vertical rails (at the front of the rack cabinet).
- 2 Pull the system out of the rack on its slide assemblies until the slide assembly lock snaps into place at the fully-extended position.
- 3 Press up on the yellow system release latch and pull the system toward the front and to the outermost position on the slide assemblies (see Figure 1-3).
- 4 Using two to four people, grasp the system at each corner and lift the system up and out of the slide assemblies (see Figure 1-3).

The shoulder screws should lift out of the outermost slide section. If you have difficulty, make certain that the shoulder screws in the slide assembly are aligned with their opening on the top of the slide.

- 5 Place the system on a smooth work surface.

**Figure 1-3. Removing the System From the Slide Assemblies**

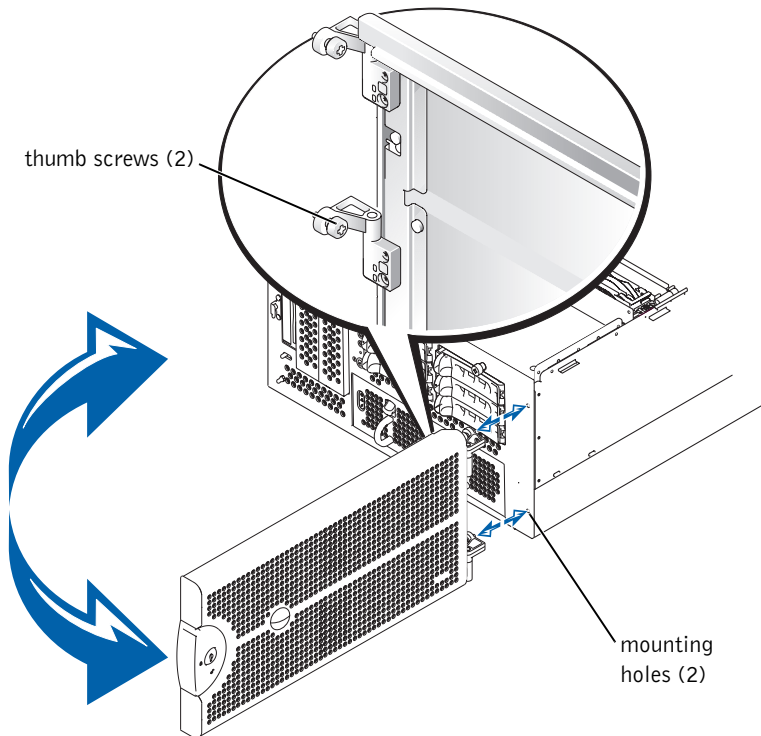


# Removing the Bezel, Cover, and Front Panel

This procedure is best performed with the system on its side (see Figure 1-4).

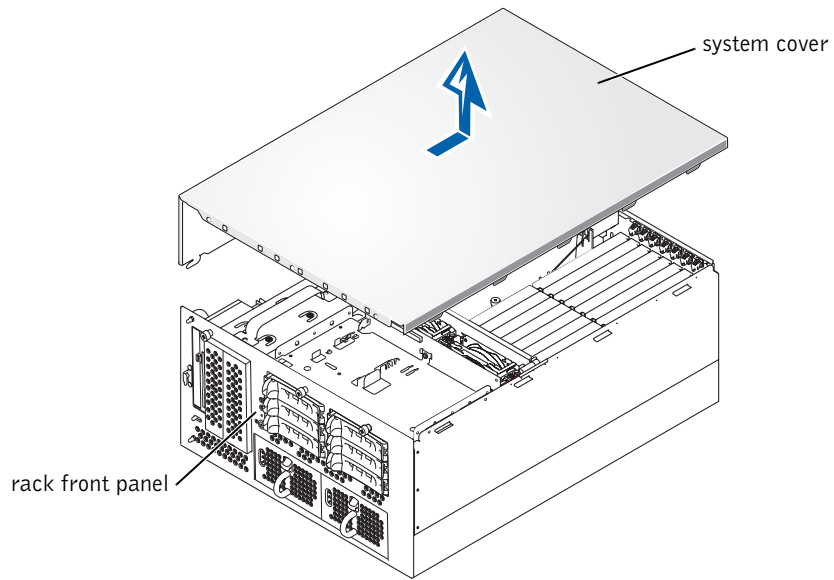
- 1** Remove the bezel and set it aside:
  - a** Using the system key, unlock the bezel.
  - b** Pull the bezel away from the system so that it is perpendicular to the system (see Figure 1-4).
  - c** Loosen the thumbscrews to release the bezel (see Figure 1-4).
  - d** Pull the bezel away from the chassis.

**Figure 1-4. Removing or Replacing the Front Bezel**



- 2 Remove the system cover and set it aside (see Figure 1-5):
  - a Loosen the three thumbscrews on the front of the system (see Figure 1-5).

**Figure 1-5. Removing the System Cover**



- b Slide the system cover back and grasp the cover at both ends (see Figure 1-5).
    - c Carefully lift the cover away from the system and set it aside.
  - 3 Label each hard drive with its location in the chassis.
  - 4 Remove the hard drives from the system.
  - 5 Remove the 13 T-10 Torx screws that secure the rack front panel to the chassis.
  - 6 Lift the rack front panel away from the chassis and set it aside.

## Installing the Tower Left-Side Trim Panel

**NOTE:** It may be more convenient to set the chassis upright in the tower position while installing the left-side trim panel.

Position the tower left-side trim panel into position with the back end extending 12.7 millimeters (0.5-inch) beyond the back of the chassis, and then slide the side trim panel toward the front panel until it stops.

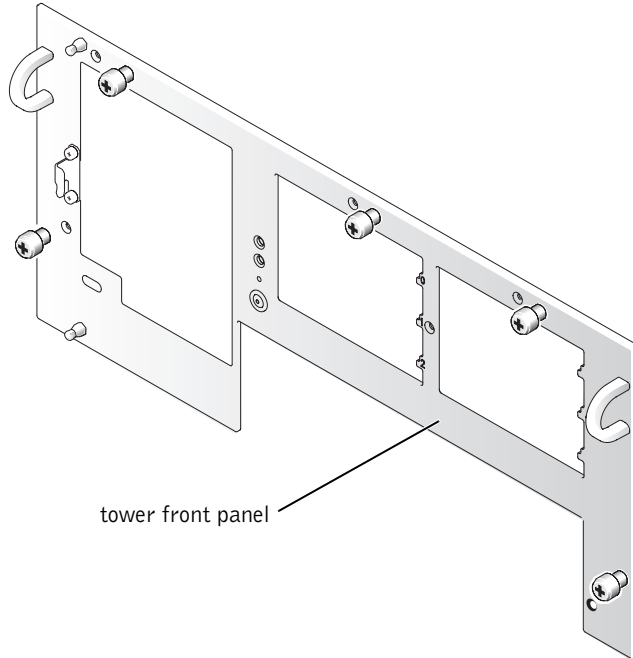
**NOTE:** You may need to tilt the chassis slightly to provide clearance for installing the left-side trim panel.

Check to see that the trim panel is flush with the front of the system chassis.

## Installing the Tower Front Panel

- 1 Install the tower front panel on the front of the chassis (see Figure 1-6), and secure it with 16 T-10 Torx screws.
- 2 Reinstall the hard drives into their proper slots.

**Figure 1-6. Installing the Tower Front Panel**



## Installing the Cover, Feet, and Bezel

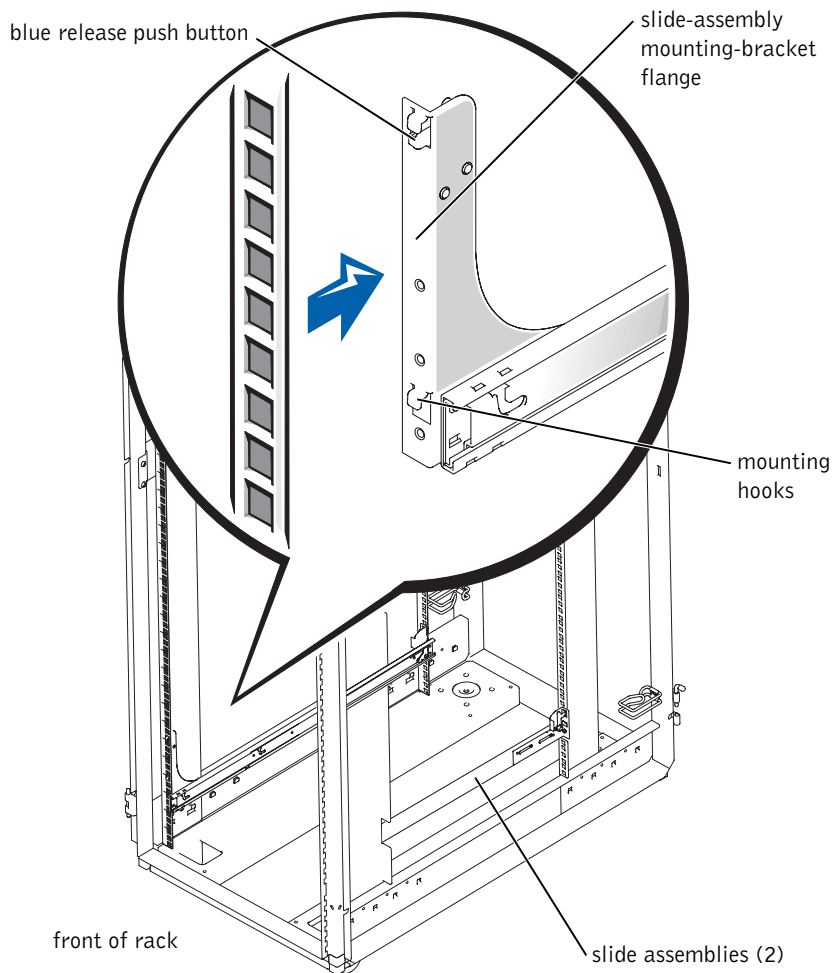
- 1** Lay the system on its left side.
- 2** Replace the system cover.
- 3** Position a metal foot over the hole in each corner and secure the foot with a 6-32 x 0.25-inch hex-head Phillips screw.
- 4** Replace the bezel:
  - a** Align the two thumbscrew with the mounting holes on the front of the system (see Figure 1-4).
  - b** Tighten the thumbscrews to secure the bezel (see Figure 1-4).
  - c** Swing the bezel closed until it snaps into place.
  - d** Using the system key, lock the bezel.

## Removing the Slide Assemblies

- 1** At the front of the rack cabinet, locate the blue release push-button on one of the slide assembly's mounting-bracket flanges (see Figure 1-7).
- 2** From the front of the rack cabinet, press in on the blue release push button, lift up, and push the slide assembly back approximately one inch away from the front vertical rail until the mounting-bracket flange and its mounting hooks disengage from the square holes in the front vertical rail (see Figure 1-7).
- 3** Repeat step 2 at the back of the cabinet for this slide assembly.
- 4** Repeat steps 1 through 3 for the remaining slide assembly on the other side of the rack.
- 5** Place the cable-management arm, the cable tray, the slide assemblies, and all fastener hardware in a box. Label the box as a rack installation kit for the system model you removed from the rack.



**Figure 1-7. Removing the Slide Assemblies**



## Replacing the Rack Doors

See the procedures for replacing doors in the documentation provided with your rack cabinet.

This completes the tower conversion of your system.



Systèmes Dell™

# Guide de conversion de rack en tour

# Remarques, mises en garde et avertissements



**REMARQUE** : une REMARQUE indique une information importante destinée à vous aider dans l'utilisation de votre ordinateur.



**MISE EN GARDE** : une MISE EN GARDE indique un dommage ou une perte de données susceptible de survenir et vous explique comment éviter le problème.



**ATTENTION** : le message **ATTENTION** indique une situation potentiellement dangereuse qui, si elle n'est pas évitée, peut provoquer une blessure mineure ou modérée.

---

**Les informations fournies dans ce document sont susceptibles d'être modifiées sans préavis.  
© 2002 Dell Computer Corporation. Tous droits réservés.**

La reproduction de ce document de quelque manière que ce soit sans l'autorisation écrite de Dell Computer Corporation est strictement interdite.

Marques déposées utilisées dans ce guide : *Dell* et le logo *DELL* sont des marques commerciales de Dell Computer Corporation.

Toutes les autres marques déposées et noms de marques utilisés dans ce document se rapportent aux sociétés propriétaires des marques et des noms de ces produits. Dell Computer Corporation décline tout intérêt dans l'utilisation des marques déposées et des noms de marques ne lui appartenant pas.

**Juin 2002   Réf. 5T372   Rév. A00**

# Sommaire

<b>Contenu du kit de conversion de rack en tour . . . . .</b>	<b>2-2</b>
<b>Avant de commencer. . . . .</b>	<b>2-4</b>
Retrait des portes du rack . . . . .	2-4
Outils et fournitures recommandés . . . . .	2-4
Opérations de conversion . . . . .	2-4
<b>Retrait des portes du rack . . . . .</b>	<b>2-5</b>
<b>Retrait du bras de maintien des câbles . . . . .</b>	<b>2-5</b>
<b>Retrait du système du rack . . . . .</b>	<b>2-7</b>
<b>Retrait du cache, du capot et du panneau avant . . . . .</b>	<b>2-9</b>
<b>Installation du panneau latéral gauche de la tour. . . . .</b>	<b>2-11</b>
<b>Installation du panneau avant de la tour . . . . .</b>	<b>2-11</b>
<b>Installation du capot, des pieds et du cache . . . . .</b>	<b>2-12</b>
<b>Retrait des rails coulissants . . . . .</b>	<b>2-12</b>
<b>Remise en place des portes du rack . . . . .</b>	<b>2-13</b>

## Figures

Figure 2-1.	Contenu du kit de conversion de rack en tour . . . .	2-3
Figure 2-2.	Retrait du bras de maintien des câbles . . . . .	2-6
Figure 2-3.	Retrait du système des rails coulissants . . . . .	2-8
Figure 2-4.	Retrait ou remise en place du cache avant . . . . .	2-9
Figure 2-5.	Retrait du capot du système. . . . .	2-10
Figure 2-6.	Installation du panneau avant de la tour. . . . .	2-11
Figure 2-7.	Retrait des rails coulissants . . . . .	2-13




Ce guide de conversion contient des instructions à l'intention de techniciens de maintenance qualifiés, pour le retrait d'un ou plusieurs systèmes d'une armoire rack et leur conversion en tour. Un kit de conversion de rack en tour est nécessaire pour chacun des systèmes à convertir.

 **ATTENTION : le système peut peser jusqu'à 43 kilogrammes (95 livres) une fois chargé complètement. Pour éviter toute blessure, ne tentez pas de le déplacer seul.**

## Instructions de sécurité


Respectez les consignes de sécurité de ce guide pour assurer votre sécurité personnelle et pour contribuer à protéger votre système des dommages potentiels.

Dans toute la section sur la sécurité, l'icône de mise en garde () signale les mises en garde et les précautions que vous devez respecter. Pour obtenir toutes les informations de sécurité, reportez-vous au document intitulé *Informations système* fourni avec le système.


### Précautions à suivre concernant les produits montables en rack

Pour la stabilité du rack et pour votre sécurité, veuillez respecter les précautions suivantes. Reportez-vous également à la documentation accompagnant le système et le rack pour connaître les mises en garde et les procédures spécifiques.

Les systèmes sont considérés comme les composants d'un rack. Ainsi, le terme "composant" fait référence à tout système ainsi qu'aux différents périphériques ou matériels qui lui sont associés.

 **ATTENTION : l'installation de systèmes dans un rack sans placer de stabilisateurs avant et latéraux peut provoquer le basculement du rack, et comporte dans certaines situations un risque de blessures. C'est pourquoi il faut toujours installer les stabilisateurs avant d'installer les composants du rack.**

**Après avoir installé le système/les composants dans un rack, ne retirez jamais plus d'un composant à la fois hors du rack sur les rails coulissants. Le poids représenté par plus d'un composant étendu pourrait en effet provoquer le basculement du rack et une blessure grave.**

 **REMARQUE :** votre système est certifié sur le plan de la sécurité en tant qu'unité autonome et composant destiné à être utilisé dans une armoire rack Dell, à l'aide du kit de rack client. L'installation du système et du kit de rack dans tout autre type d'armoire rack n'a reçu aucune homologation des organismes de sécurité. Il est de votre entière responsabilité de faire évaluer par un organisme de sécurité agréé la combinaison finale du système et du kit de rack Dell dans une armoire rack. Dell décline toute responsabilité et toutes garanties liées à ce type de combinaisons.

- Les kits de racks sont destinés à être installés dans un rack par des techniciens de maintenance expérimentés. Si vous installez ce kit dans tout autre rack, assurez-vous que celui-ci répond à toutes les spécifications d'un rack Dell.



**ATTENTION : ne déplacez pas seul les racks. En raison de la hauteur et du poids du rack, il est préférable que cette tâche soit réalisée par deux personnes au minimum.**

- Avant de travailler sur le rack, assurez-vous que les stabilisateurs sont bien en place sur le rack et au sol, et que tout le poids du rack repose sur le sol. Installez les stabilisateurs avant et latéraux (pour un rack simple) ou les stabilisateurs avant (pour les racks multiples) avant de travailler sur le rack.
- Chargez toujours le rack du bas vers le haut, en plaçant toujours la plus forte charge en premier.
- Assurez-vous que le rack est bien de niveau avant de sortir l'un des composants.
- Agissez avec précaution lorsque vous appuyez sur les verrous des rails pour les libérer et faire glisser un composant hors ou dans le rack. Vous risquez en effet de vous coincer les doigts dans les rails.
- Après avoir inséré un composant dans le rack, tirez doucement le rail jusqu'à son verrouillage puis faites glisser le composant dans le rack.
- Ne surchargez pas le circuit de dérivation CA qui alimente le rack en électricité. La charge totale du rack ne doit pas excéder 80 % de la puissance du circuit de dérivation.
- Assurez-vous que l'air circule suffisamment entre les composants du rack.
- Ne montez jamais sur l'un des composants lors de l'entretien.

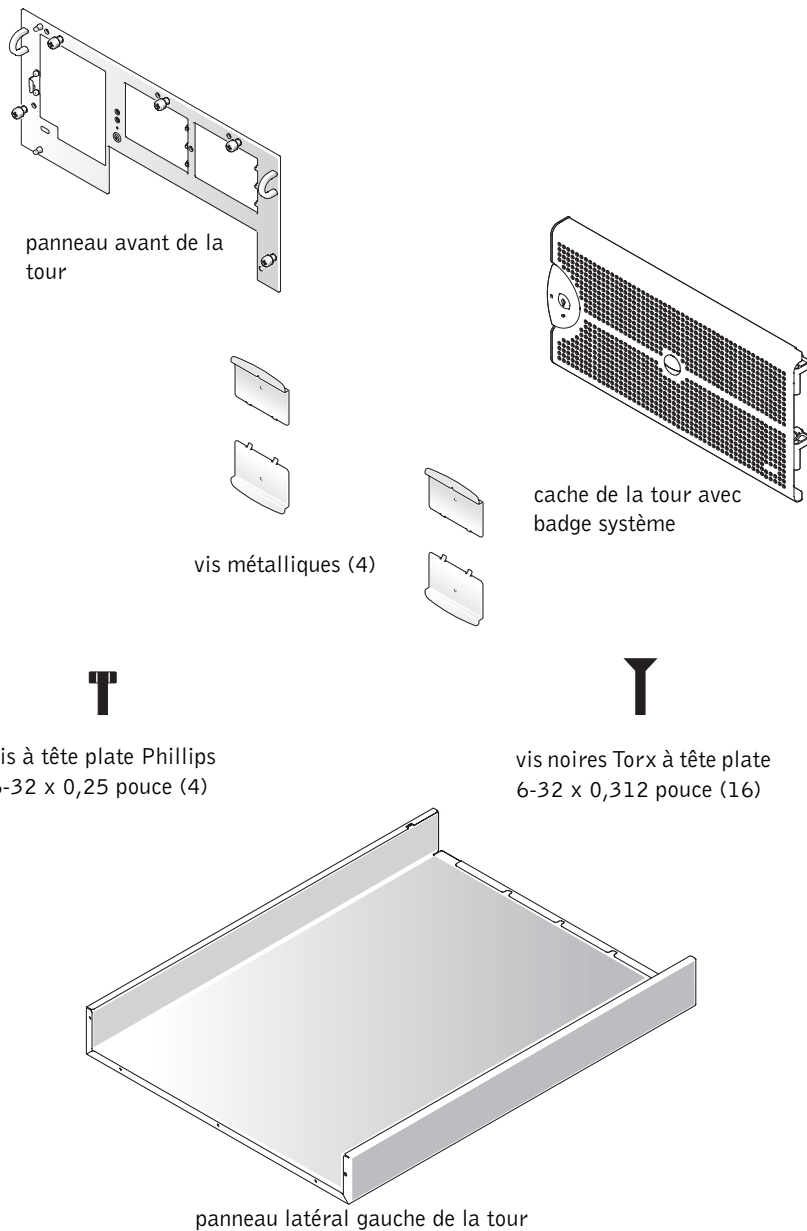
## Contenu du kit de conversion de rack en tour

Le kit de conversion de rack en tour comprend les éléments suivants (voir la Figure 2-1) :

- Le cache de la tour et un badge système avec verrou et clés
- Le panneau avant de la tour
- Le panneau latéral gauche de la tour
- Quatre pieds métalliques
- Quatre vis à tête plate Phillips 6-32 x 0,25 pouce
- Seize vis noires Torx à tête plate 6-32 x 0,312 pouce



**Figure 2-1. Contenu du kit de conversion de rack en tour**



## Avant de commencer

Avant de retirer le système du rack pour le convertir en tour, lisez attentivement les "Instructions de sécurité".

### Retrait des portes du rack

Reportez-vous aux procédures de retrait des portes dans la documentation fournie avec votre armoire rack.

### Outils et fournitures recommandés

Vous devez utiliser les outils suivants pour effectuer la conversion :

- Un tournevis Phillips n°2
- Un tournevis plat
- Un tournevis Torx T-10 (pour le retrait et l'installation des panneaux avant)

### Opérations de conversion

Pour retirer un système de son rack et le support de montage en rack, vous devez suivre les étapes suivantes :

- Retrait des portes du rack
- Retrait du bras de maintien des câbles et du chemin de câbles
- Retrait du système du rack
- Retrait du capot, du cache et du panneau avant
- Installation du panneau latéral gauche de la tour
- Installation du panneau avant de la tour
- Installation des pieds métalliques
- Installation du cache avant de la tour
- Retrait des rails coulissants
- Remise en place des portes du rack

## Retrait des portes du rack

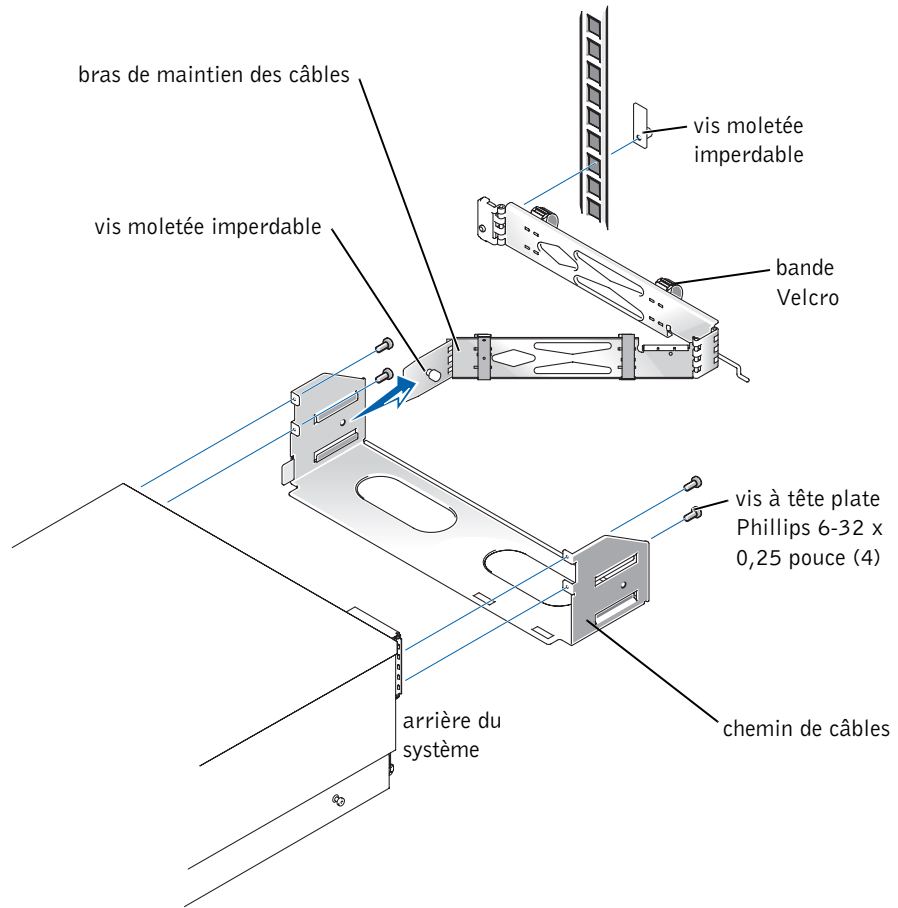
Vous devez retirer les portes de l'armoire rack pour accéder à l'intérieur du rack et éviter d'endommager les portes lors du retrait du système et du kit de l'armoire rack.

Consultez la documentation fournie avec le rack pour savoir comment retirer les portes du rack. Si vous retirez un système d'une armoire rack, reportez-vous aux procédures décrites dans le *Guide d'installation du rack*.

## Retrait du bras de maintien des câbles

- 1 Arrêtez le système à retirer et tous les périphériques qui y sont connectés, et mettez-les hors tension.
- 2 Débranchez puis retirez le cordon d'alimentation CA à l'arrière du rack ainsi que tous les câbles connectés à l'arrière du système, fixés au bras de maintien à l'aide de la bande Velcro.
- 3 Desserrez la vis moletée imperdable fixant le bras de maintien des câbles au chemin de câbles (voir la Figure 2-2).
- 4 Tirez sur le bras de maintien des câbles pour le dégager du chemin de câbles.
- 5 Retirez la vis moletée imperdable et le support de fixation de la partie arrière du bras de maintien des câbles au rail vertical arrière (voir la Figure 2-2).

**Figure 2-2. Retrait du bras de maintien des câbles**



- 6 Retirez le chemin de câbles de l'arrière du système en enlevant les quatre vis à tête Phillips 6-32 x 0,25-pouce (voir la Figure 2-2).

# Retrait du système du rack

**⚠ ATTENTION** : si vous retirez plusieurs systèmes de l'armoire rack, retirez le système se trouvant sur la première étagère. Terminez le retrait du premier système avant de retirer le second. Ne retirez jamais plusieurs systèmes simultanément.

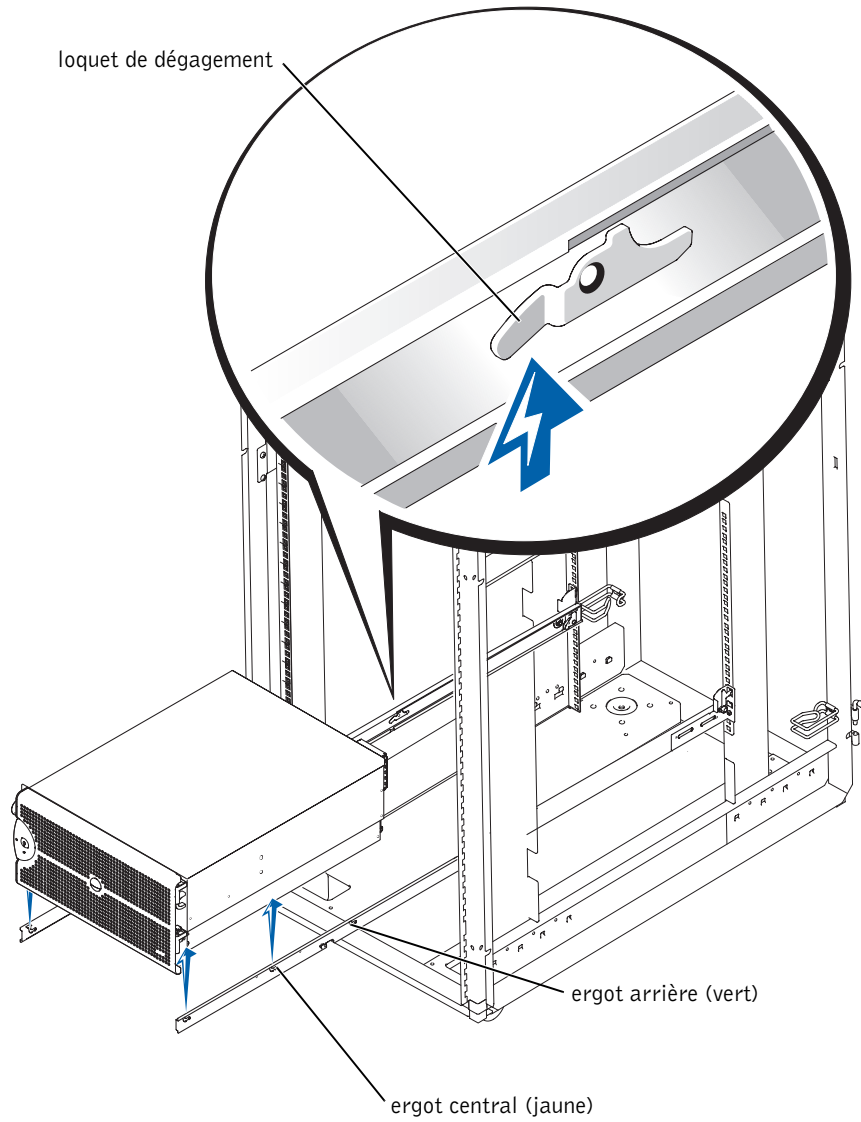
**⚠ ATTENTION** : le retrait d'un système du premier rack de l'armoire nécessite quatre personnes et éventuellement un marchepied ou un accessoire équivalent. Une plate-forme de levage mécanique ou un accessoire équivalent peut également s'avérer nécessaire. Si vous essayez de retirer le système et de l'abaisser sans l'aide d'un nombre suffisant de personnes, vous risquez de vous blesser et d'endommager le système.

- 1 Desserrez les vis moletées fixant le panneau avant aux rails verticaux avant (à l'avant de l'armoire rack).
- 2 Tirez entièrement le système hors du rack jusqu'au blocage des rails coulissants.
- 3 Relevez le loquet de dégagement jaune et tirez le système vers l'avant jusqu'à la position maximale (voir la Figure 2-3).
- 4 Avec l'aide de deux à quatre personnes, saisissez le système par les angles et levez-le pour le dégager des rails coulissants (voir la Figure 2-3).

Les vis à épaulement doivent se dégager de la partie la plus externe de la section coulissante. En cas de problème, vérifiez que les vis à épaulement des rails coulissants sont alignées sur les trous correspondants, sur la partie supérieure coulissante.

- 5 Posez le système sur une surface de travail plane.

**Figure 2-3. Retrait du système des rails coulissants**

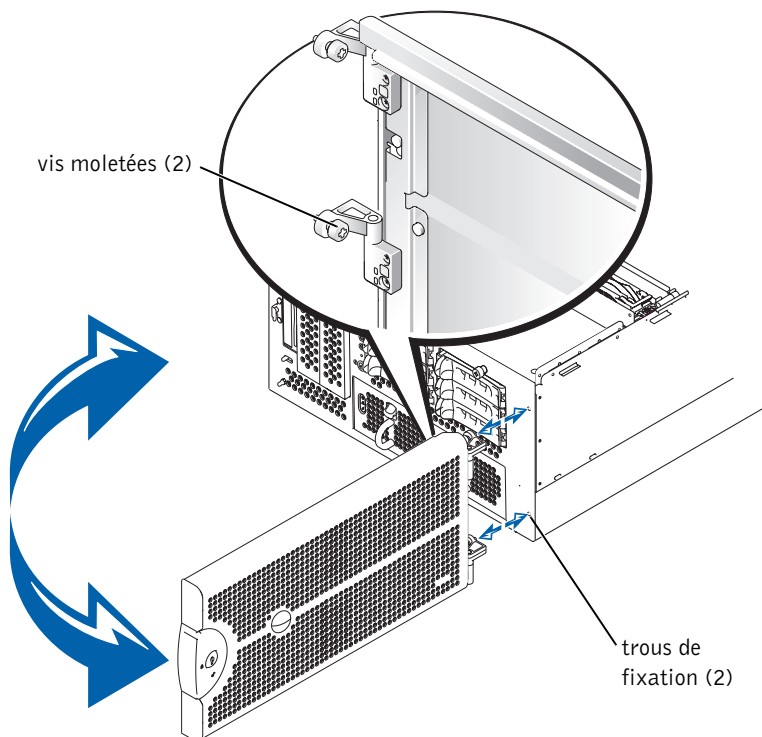


# Retrait du cache, du capot et du panneau avant

Pour effectuer cette opération, placez le système sur le côté (voir la Figure 2-4).

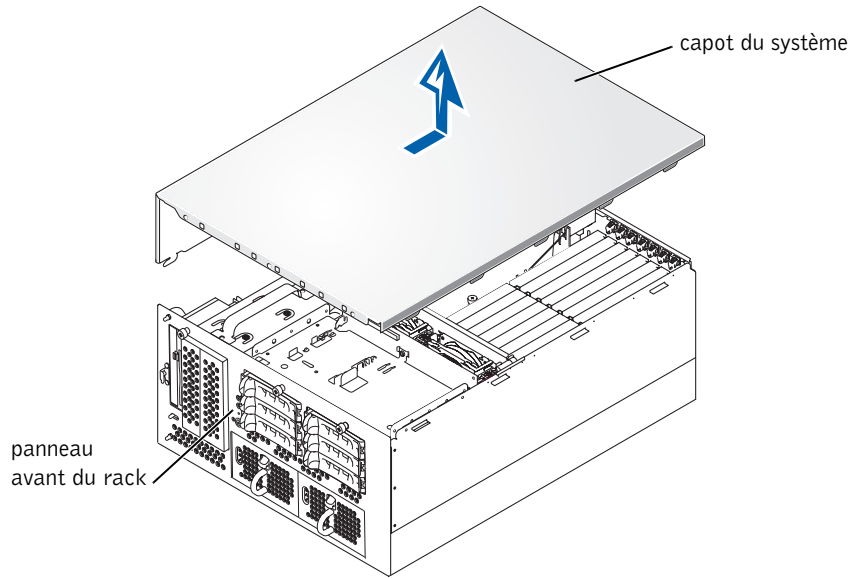
- 1 Retirez le cache et mettez-le de côté.
  - a Déverrouillez le cache à l'aide de la clé du système.
  - b Ecartez le cache de sorte qu'il soit perpendiculaire au système (voir la Figure 2-4).
  - c Desserrez les vis moletées pour dégager le cache (voir la Figure 2-4).
  - d Dégagez le cache du châssis.

**Figure 2-4. Retrait ou remise en place du cache avant**



- 2 Retirez le capot du système et mettez-le de côté (voir la Figure 2-5) :
  - a Desserrez les trois vis moletées à l'avant du système (voir la Figure 2-5).

**Figure 2-5. Retrait du capot du système.**



- b Faites coulisser le capot du système vers l'arrière et saisissez-le par ses deux extrémités (voir la Figure 2-5).
    - c Retirez le capot doucement en le soulevant et mettez-le de côté.
  - 3 Collez une étiquette sur chaque disque dur en notant sa position dans le châssis.
  - 4 Retirez les disques durs du système.
  - 5 Retirez les 13 vis T-10 Torx de fixation du panneau avant du rack au châssis.
  - 6 Dégagez doucement le capot du châssis en le soulevant et mettez-le de côté.



## Installation du panneau latéral gauche de la tour

**REMARQUE** : il peut être plus pratique de redresser le châssis en position tour pour installer le panneau latéral gauche.

Placez le panneau latéral gauche de façon à le faire dépasser de 12,7 mm par rapport à l'arrière du châssis, et faites-le glisser vers l'avant du panneau avant jusqu'à ce qu'il bute.

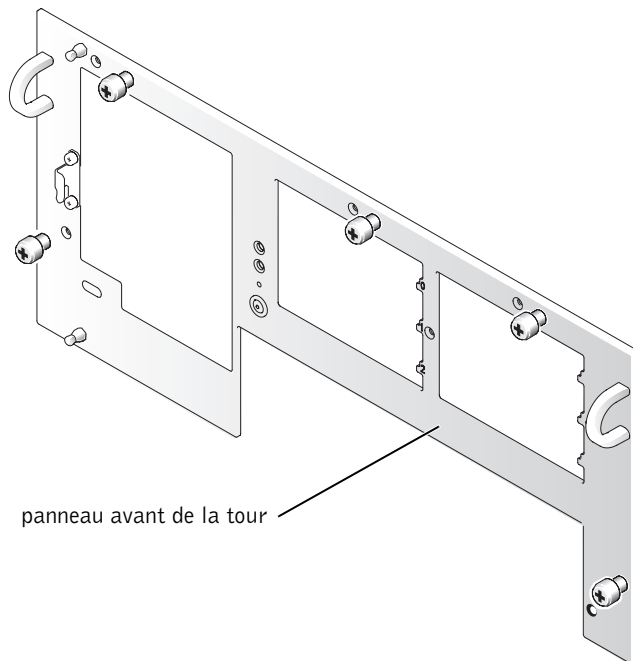
**REMARQUE** : il se peut que vous deviez incliner légèrement le châssis pour pouvoir installer le panneau latéral gauche.

Vérifiez que le panneau s'emboîte correctement dans la partie avant du châssis.

## Installation du panneau avant de la tour

- 1 Installez le panneau avant de la tour sur le châssis (voir la Figure 2-6) et fixez-le à l'aide des 16 vis T-10 Torx.
- 2 Réinstallez chaque disque dur dans son emplacement.

**Figure 2-6. Installation du panneau avant de la tour**



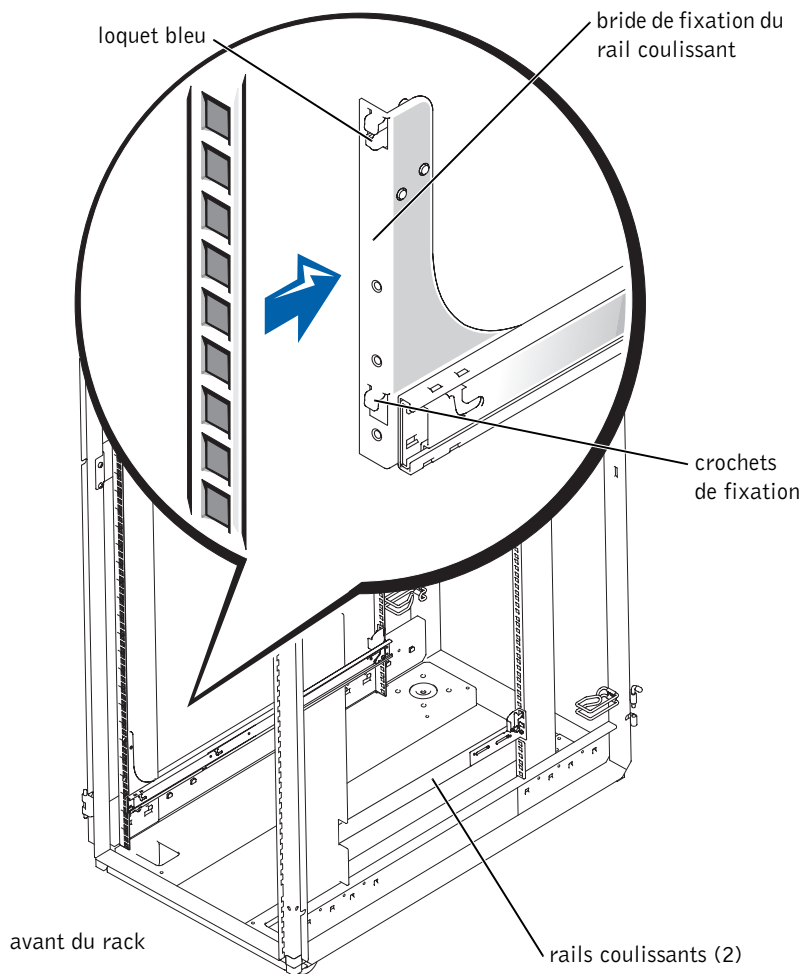
## Installation du capot, des pieds et du cache

- 1 Faites reposer le système sur le côté latéral gauche.
- 2 Réinstallez le capot du système.
- 3 Fixez un pied métallique à chaque angle à l'aide des vis à tête Phillips -32 x 0,25 pouce.
- 4 Réinstallez le cache :
  - a Alignez les deux vis moletées sur les trous de fixation à l'avant du système (voir la Figure 2-4).
  - b Serrez les vis moletées pour fixer le cache (voir la Figure 2-4).
  - c Abaissez le cache jusqu'à ce qu'il s'enclenche.
  - d Verrouillez le cache à l'aide de la clé du système.

## Retrait des rails coulissants

- 1 A l'avant de l'armoire rack, repérez le loquet bleu figurant sur l'une des pattes du support de fixation des rails coulissants (voir la Figure 2-7).
- 2 A l'avant de l'armoire rack, appuyez sur le loquet bleu, soulevez le dispositif coulissant et poussez-le pour le dégager de 2 cm environ du rail vertical avant pour dégager la bride de fixation et ses crochets des trous carrés (voir la Figure 2-7).
- 3 Effectuez de nouveau les opérations de l'étape 2 à l'arrière du rack pour ce rail coulissant.
- 4 Effectuez de nouveau les opérations des étapes 1 à 3 pour le rail coulissant situé de l'autre côté du rack.
- 5 Placez le bras de maintien des câbles, le chemin de câbles, les rails coulissants et le matériel de fixation dans une boîte. Placez une étiquette sur le carton indiquant qu'il s'agit du kit d'installation du modèle de système que vous avez retiré du rack.

**Figure 2-7. Retrait des rails coulissants**



## Remise en place des portes du rack

Reportez-vous aux procédures de réinstallation des portes dans la documentation fournie avec votre armoire rack.

La conversion en tour de votre système est terminée.



Dell™-Systeme

# Konvertieranleitung Rack- nach-Tower

# Hinweis, Bitte Beachten und Vorsicht



**HINWEIS:** Ein HINWEIS enthält wichtige Informationen, mit deren Hilfe Sie Ihren Computer besser nutzen können.



**BITTE BEACHTEN:** BITTE BEACHTEN weist auf eine mögliche Beschädigung von Hardware oder den Verlust von Daten hin und beschreibt, wie dieses Problem vermieden werden kann.



**VORSICHT: VORSICHT weist darauf hin, dass Gefahr für einen Sachschaden, Personenschaden oder Lebensgefahr besteht.**

---

**Die in diesem Dokument enthaltenen Informationen können ohne Vorankündigung geändert werden.  
© 2002 Dell Computer Corporation. Alle Rechte vorbehalten.**

Eine Reproduktion dieses Dokuments in jeglicher Form ist nur mit vorheriger schriftlicher Genehmigung der Dell Computer Corporation erlaubt.

Die in diesem Text verwendeten Warenzeichen: *Dell* und das *DELL*-Logo sind Warenzeichen der Dell Computer Corporation.

Andere in diesem Dokument möglicherweise verwendete Warenzeichen und Handelsbezeichnungen sind unter Umständen Marken und Namen der entsprechenden Firmen oder ihrer Produkte. Die Dell Computer Corporation erhebt keinen Anspruch auf Warenzeichen oder Handelsnamen mit Ausnahme ihrer eigenen.

# Inhalt

<b>Inhalt des Rack-nach-Tower-Kit</b> .....	<b>3-3</b>
<b>Bevor Sie beginnen</b> .....	<b>3-5</b>
Entfernen der Rack-Türen .....	3-5
Empfohlene Werkzeuge und Zubehör .....	3-5
Konvertierungsschritte .....	3-5
<b>Abnehmen der Rack-Türen</b> .....	<b>3-6</b>
<b>Entfernen des Kabelarms</b> .....	<b>3-6</b>
<b>Entfernen des Systems aus dem Rack</b> .....	<b>3-8</b>
<b>Entfernen von Blende, Abdeckung und Frontplatte</b> .....	<b>3-10</b>
<b>Installation der Tower-Verkleidung links</b> .....	<b>3-12</b>
<b>Installation der Tower-Frontplatte</b> .....	<b>3-12</b>
<b>Einbau von Abdeckung, Füßen und Blende</b> .....	<b>3-13</b>
<b>Entfernen der Gleitschienen</b> .....	<b>3-13</b>
<b>Wiederanbringen der Rack-Türen</b> .....	<b>3-14</b>

## Abbildungen

Abbildung 3-1.	Inhalt des Rack-nach-Tower-Kit. ....	3-4
Abbildung 3-2.	Entfernen des Kabelarms .....	3-7
Abbildung 3-3.	Entnehmen des Systems aus den Gleitschienen ...	3-9
Abbildung 3-4.	Entfernen oder Ersetzen der vorderen Blende ...	3-10
Abbildung 3-5.	Entfernen der Systemabdeckung .....	3-11
Abbildung 3-6.	Installation der Tower-Frontplatte .....	3-12
Abbildung 3-7.	Entfernen der Gleitschienen .....	3-14





Diese Konvertierungsanleitung enthält Anweisungen für geschulte Service-Techniker zum Entfernen eines oder mehrerer Systeme aus einem Gestellschrank und der Konvertierung zu einem Towersystem. Bei der Konvertierung eines Gestellsystems zu einem Towersystem benötigen Sie für jedes System, das Sie konvertieren möchten, ein eigenes Konvertier-Kit Rack-nach-Tower.

**⚠ VORSICHT: Das System kann bei voller Belastung bis zu 43 Kilogramm (kg) wiegen. Um Verletzungen zu vermeiden, versuchen Sie nicht, das System allein zu bewegen.**

## Sicherheitshinweise

Beachten Sie die nachfolgenden Sicherheitshinweise, um Ihre eigene Sicherheit zu gewährleisten und eine Beschädigung Ihres Systems zu vermeiden.

In diesem gesamten Abschnitt zeigt das Vorsicht-Symbol (⚠) Vorsichtsmaßnahmen an, die unbedingt befolgt werden müssen. Die kompletten Sicherheitshinweise finden Sie im Dokument *Systeminformation*, das mit Ihrem System geliefert wurde.


### Vorsichtsmaßnahmen für Rack-montierbare Produkte

Folgende Vorsichtsmaßnahmen dienen der Stabilität und Sicherheit des Racks. Spezielle Warnungen und/oder Sicherheitshinweise und Prozeduren finden Sie auch in der zum System gehörenden Dokumentation zur Rack-Installation.


Systeme gelten als Komponenten in einem Rack. Der Begriff „Komponente“ kann also ein beliebiges System oder verschiedene Peripheriegeräte oder Zusatzhardware bezeichnen.

**⚠ VORSICHT: Werden Systemkomponenten in einem Rack installiert, an dem die vorderen und seitlichen Stabilisatoren fehlen, kann das Rack umkippen, was unter Umständen schwere Verletzungen zur Folge haben kann. Montieren Sie daher grundsätzlich zuerst die Stabilisatoren, bevor Sie Komponenten im Rack installieren.**

**Ziehen Sie nach der Installation von Systemen/Komponenten in einem Rack niemals mehr als eine Komponente gleichzeitig auf ihren Gleitschienen aus dem Rack. Durch das Gewicht von mehr als einer Komponente kann das Rack umkippen und Verletzungen verursachen.**

 **HINWEIS:** Ihr System ist als frei stehende Einheit und für die Verwendung als Komponente in Dell-Gestellschränken sicherheitszertifiziert, wobei das Customer Rack Kit eingesetzt werden muss. Die Installation Ihres Systems und Rack-Kits in anderen Gestellschränken wurde von keiner Prüfbehörde untersucht. Es liegt in Ihrer Verantwortung, die Eignung der endgültigen Kombination von Systemen und Rack-Kits für den Einsatz in einem Gestellschrank durch eine zertifizierte Prüfbehörde untersuchen zu lassen. Dell lehnt jede Haftung und Gewährleistung für solche Kombinationen ab.

- System-Rack-Kits müssen von geschulten Servicetechnikern in einem Rack installiert werden. Wenn Sie das Kit in einem anderen Rack installieren, vergewissern Sie sich, dass das Rack die Spezifikationen eines Dell-Racks erfüllt.

 **VORSICHT: Große Racks dürfen nicht von einer Person allein bewegt werden. Wegen der Höhe und des Gewichtes des Racks sollte diese Arbeit mit mindestens zwei Personen durchgeführt werden.**

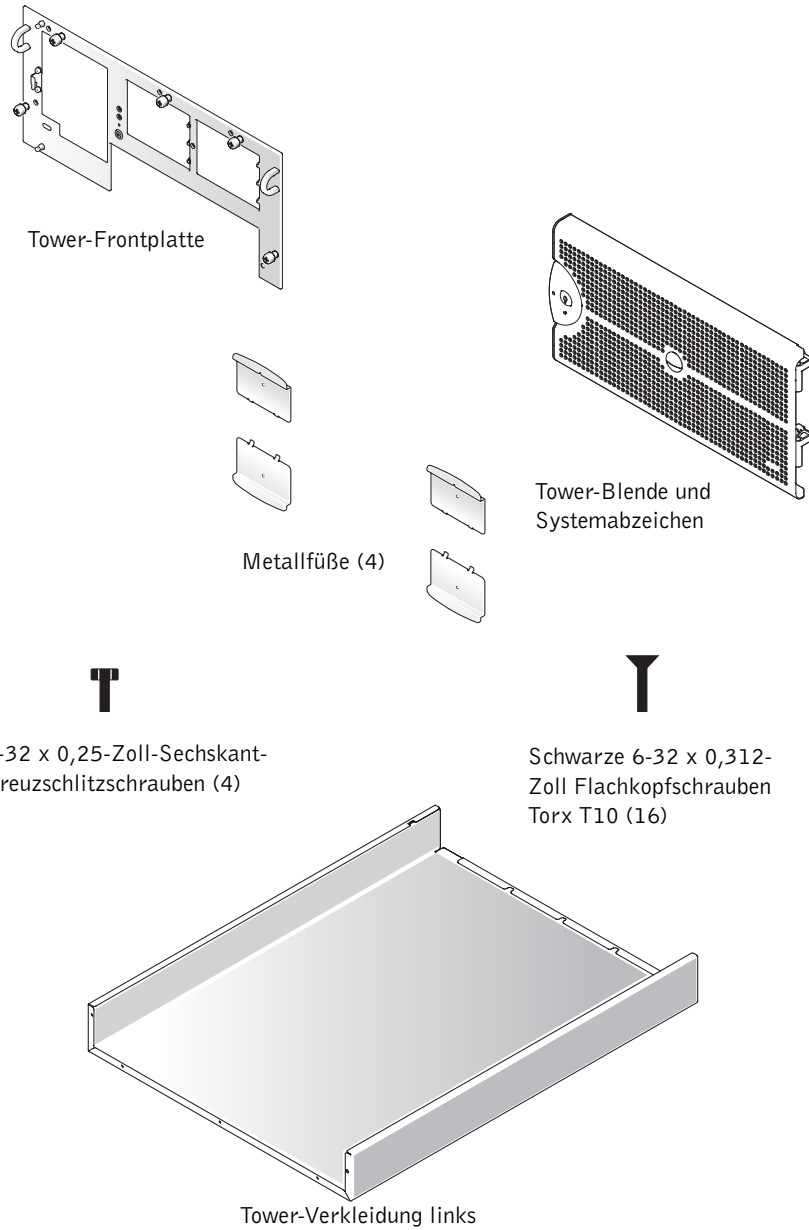
- Bevor Sie an einem Rack arbeiten, vergewissern Sie sich, dass die Stabilisatoren sicher am Rack befestigt sind, fest auf dem Boden aufliegen und dass das gesamte Gewicht des Racks auf dem Boden lastet. Montieren Sie an einem einzelnen Rack vordere und seitliche Stabilisatoren, an mehreren miteinander verbundenen Racks vordere Stabilisatoren, bevor Sie Arbeiten am Rack durchführen.
- Bestücken Sie das Rack immer von unten nach oben und bauen Sie die schwerste Komponente zuerst in das Rack ein.
- Vergewissern Sie sich, dass das Rack gerade und stabil steht, bevor Sie eine Komponente aus dem Rack ziehen.
- Achten Sie auf Ihre Finger, wenn Sie auf die Schienenverriegelung der Komponente drücken und eine Komponente in das Rack schieben oder aus dem Rack ziehen: Quetschgefahr!
- Wenn Sie eine Komponente in das Rack eingesetzt haben, ziehen Sie die Schienen vorsichtig bis in die Verriegelungsposition heraus und schieben Sie dann die Komponente in das Rack.
- Überlasten Sie nicht den Wechselstromkreis, über den das Rack mit Strom versorgt wird. Die Gesamtlast des Racks sollte 80 Prozent der Nennbelastbarkeit des Stromkreises nicht überschreiten.
- Überprüfen Sie, ob eine ausreichende Luftzufuhr zu den Komponenten im Rack gewährleistet ist.
- Treten Sie nicht auf Komponenten oder stellen sich darauf, wenn Sie an anderen Komponenten in einem Rack Arbeiten durchführen.

# Inhalt des Rack-nach-Tower-Kit

Das Rack-nach-Tower-Kit enthält die folgenden Komponenten (siehe Abbildung 3-1):

- Eine Tower-Blende mit Systemabzeichen, inklusive Verschluss und Schlüsseln
- Eine Tower-Frontplatte
- Eine Tower-Verkleidung links
- Vier Metallfüße
- Vier 6-32 x 0,25-Zoll Sechskant-Kreuzschlitzschrauben
- Sechzehn schwarze 6-32 x 0,312-Zoll Flachkopf-Schrauben Torx

**Abbildung 3-1. Inhalt des Rack-nach-Tower-Kit**



# Bevor Sie beginnen

Bevor Sie Ihr System aus dem Rack entfernen und es zu einem Tower-System umwandeln, lesen Sie sorgfältig die „Sicherheitshinweise“.

## Entfernen der Rack-Türen

Siehe Vorgehensweise zum Entfernen der Türen in der Dokumentation Ihres Gestellschranks.

## Empfohlene Werkzeuge und Zubehör

Für die Konvertierung benötigen Sie die folgenden Werkzeuge:

- Einen Kreuzschlitz-Schraubendreher Nr. 2
- Einen Schlitz-Schraubendreher
- Schraubendreher Torx T-10 (zum Entfernen und Wiederanbringen der Frontplatten)

## Konvertierungsschritte

Zum Entfernen eines Systems aus dem Rack und dem Entfernen der Rack-Montage-Hardware aus dem Gestellschrank gehören folgende Schritte:

- Entfernen der Rack-Türen
- Entfernen des Kabelarms und der Kabelführung
- Entfernen des Systems aus dem Rack
- Entfernen von Abdeckung, Blende und Frontplatte
- Installation der Tower-Verkleidung links
- Einbau der Tower-Frontplatte
- Einbau der Metallfüße
- Einbau der Tower-Frontblende
- Entfernen der Gleitschienen
- Wiederanbringen der Rack-Türen

## Abnehmen der Rack-Türen

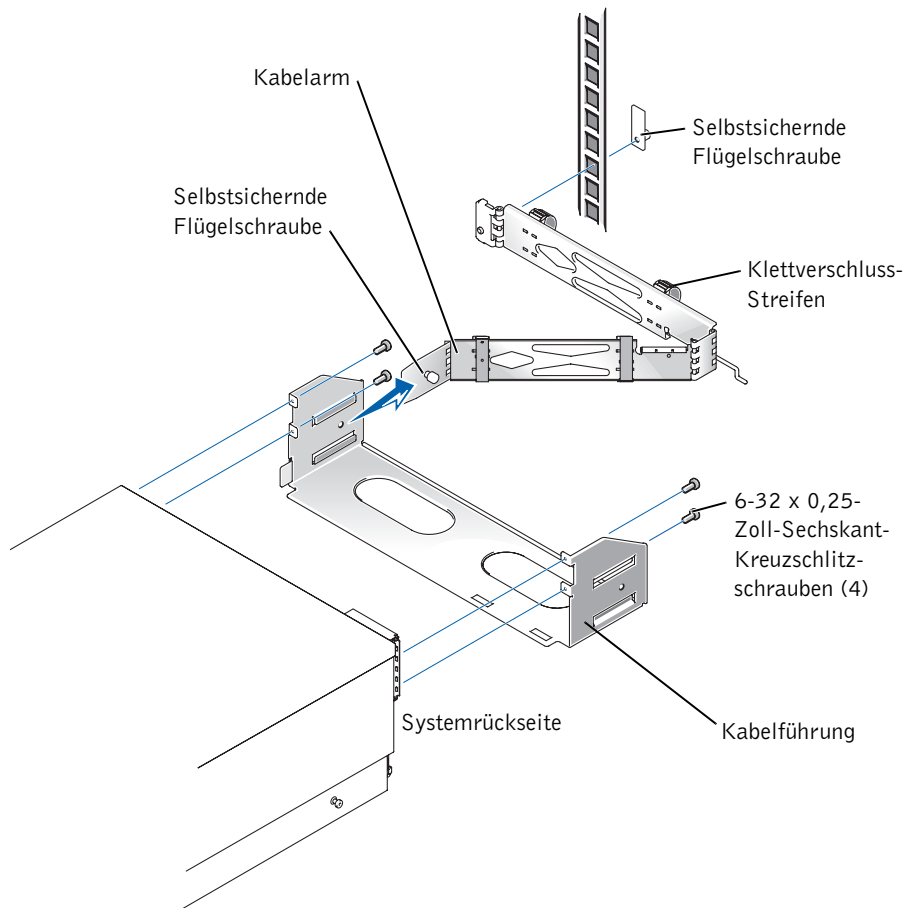
Sie müssen die Türen des Gestellschranks entfernen, um an das Innere des Racks zu gelangen und um die Türen beim Entfernen des Systems und des Rack-Kit aus dem Gestellschrank nicht zu beschädigen.

Anweisungen zum Entfernen der Gestellschranktüren finden Sie in der mit dem Rack mitgelieferten Dokumentation. Zum Entfernen eines Systems aus einem Gestellschrank siehe Vorgehensweisen in der *Rack-Installationsanleitung* des Systems.

## Entfernen des Kabelarms

- 1 Fahren Sie das System, das Sie entfernen möchten, herunter und schalten Sie es ebenso wie alle an das System angeschlossenen Peripheriegeräte aus.
- 2 Entfernen Sie das AC-Stromkabel und alle anderen Kabel, die an der Rückseite des Gestellschranks und des Systems angebracht sind sowie die mit Klettverschlussstreifen am Kabelarm befestigten Kabel.
- 3 Lösen Sie die selbstsichernde Flügelschraube, mit der die Vorderseite des Kabelarms an der Kabelführung befestigt ist (siehe Abbildung 3-2).
- 4 Ziehen Sie den Kabelarm aus der Kabelführung.
- 5 Entfernen Sie die selbstsichernde Flügelschraube und ihre Halterung, mit der die Rückseite des Kabelarms an der hinteren vertikalen Schiene befestigt ist (siehe Abbildung 3-2).

**Abbildung 3-2. Entfernen des Kabelarms**



- 6 Entfernen Sie die Kabelführung von der Rückseite des Systems, indem Sie die vier 6-32 x 0,25-Zoll Sechskant-Kreuzschlitzschrauben entfernen (siehe Abbildung 3-2).

## Entfernen des Systems aus dem Rack

**⚠ VORSICHT:** Falls Sie mehr als ein System aus dem Gestellschrank entfernen, beginnen Sie mit dem obersten System. Entfernen Sie das erste System vollständig aus dem Rack, bevor Sie mit dem zweiten beginnen. Ziehen Sie niemals mehr als ein System gleichzeitig aus dem Rack.

**⚠ VORSICHT:** Wenn Sie ein System aus einer der oberen Positionen im Gestellschrank entfernen, benötigen Sie dazu bis zu vier Personen und eventuell eine solide, erhöhte Plattform, auf der Sie stehen können. Eine mechanische Hebebühne oder eine ähnliche Vorrichtung mit der entsprechenden Belastbarkeit könnte ebenfalls hilfreich sein. Falls Sie das System nicht mit genügend Personen für eine sichere Durchführung der Aufgabe entfernen, riskieren Sie, dass Sie und Andere verletzt werden und das System beschädigt wird.

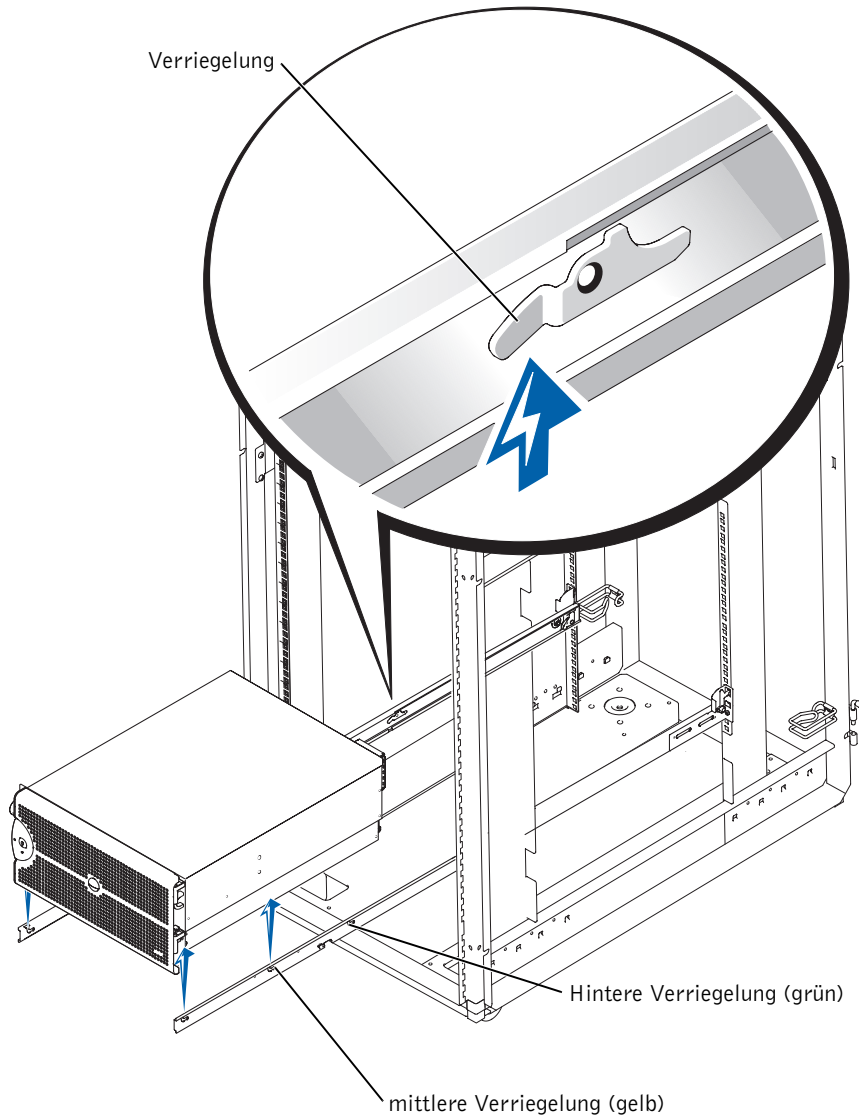
- 1 Lösen Sie die Flügelschrauben, mit denen die Frontplatte an den vorderen vertikalen Schienen (auf der Vorderseite des Gestellschranks) befestigt ist.
- 2 Ziehen Sie das System auf seinen Gleitschienen aus dem Rack heraus, bis das Schloss der Schiene in der ausgezogenen Position einrastet.
- 3 Betätigen Sie die gelbe Systemverriegelung und ziehen Sie das System nach vorne und in die äußerste Position auf den Gleitschienen (siehe Abbildung 3-3).
- 4 Heben Sie das System mit vier Personen an den vier Ecken nach oben aus den Gleitschienen heraus (siehe Abbildung 3-3).

Die Ansatzschrauben sollten aus den äußersten Schienenabschnitten herausgehoben sein. Falls dies nicht problemlos möglich ist, stellen Sie sicher, dass die Ansatzschrauben in den Gleitschienen nach den Öffnungen auf der Oberseite der Schienen ausgerichtet sind.

- 5 Legen Sie das System auf eine glatte Arbeitsoberfläche.



**Abbildung 3-3. Entnehmen des Systems aus den Gleitschienen**

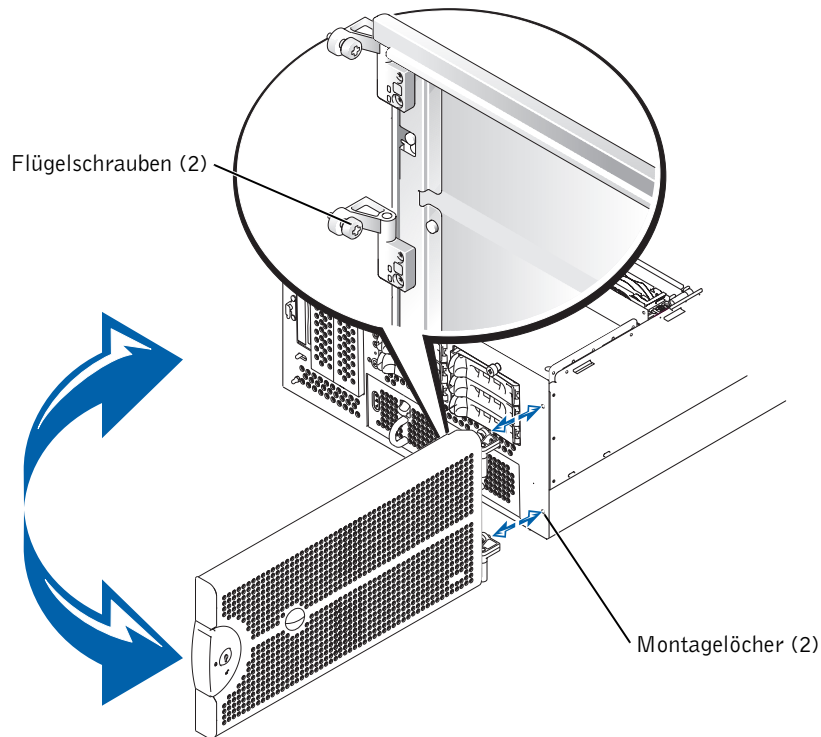


# Entfernen von Blende, Abdeckung und Frontplatte

Dieser Schritt sollte am besten bei auf der Seite liegendem System ausgeführt werden (siehe Abbildung 3-4).

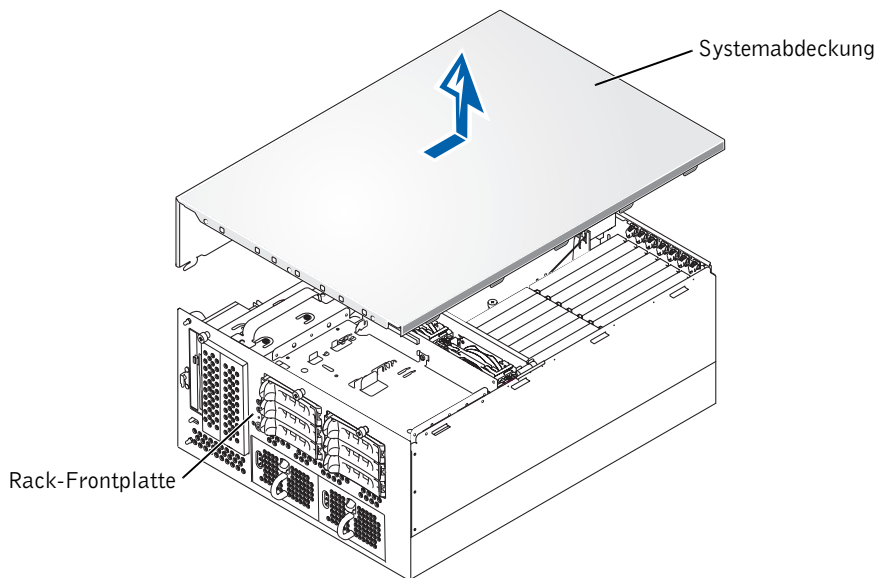
- 1 Entfernen Sie die Blende und legen Sie sie beiseite.
  - a Schließen Sie die Blende mit dem Systemschlüssel auf.
  - b Ziehen Sie die Blende vom System weg, so dass sie senkrecht zu dem System steht (siehe Abbildung 3-4).
  - c Entfernen Sie die Flügelschrauben, um die Blende zu lösen (siehe Abbildung 3-4).
  - d Ziehen Sie die Blende vom Gehäuse weg.

**Abbildung 3-4. Entfernen oder Ersetzen der vorderen Blende**



- 2 Entfernen Sie die Systemabdeckung und legen Sie sie beiseite (siehe Abbildung 3-5):
  - a Lösen Sie die drei Flügelschrauben auf der Vorderseite des Systems (siehe Abbildung 3-5).

**Abbildung 3-5. Entfernen der Systemabdeckung.**



- b Ziehen Sie die Systemabdeckung nach hinten und halten Sie sie dabei an beiden Seiten fest (siehe Abbildung 3-5).
  - c Heben Sie die Abdeckung vorsichtig aus dem System und legen Sie sie beiseite.
- 3 Beschriften Sie jede Festplatte mit ihrer Einbauposition im Chassis.
- 4 Entnehmen Sie die Festplatten aus dem System.
- 5 Entfernen Sie die 13 T-10 Torx-Schrauben, mit denen die Rack-Frontplatte am Gehäuse befestigt ist.
- 6 Heben Sie die Rack-Frontplatte aus dem Chassis und legen Sie sie beiseite.

## Installation der Tower-Verkleidung links

**HINWEIS:** Eventuell ist es am praktischsten, wenn Sie das Gehäuse zur Befestigung der linken Verkleidung aufrecht in Tower-Position stellen.

Positionieren Sie die linke Tower-Verkleidung, wobei die Rückseite 12,7 mm über die Gehäuse-Rückseite überstehen sollte, und schieben Sie die seitliche Verkleidung in Richtung der Frontplatte, bis sie fest sitzt.

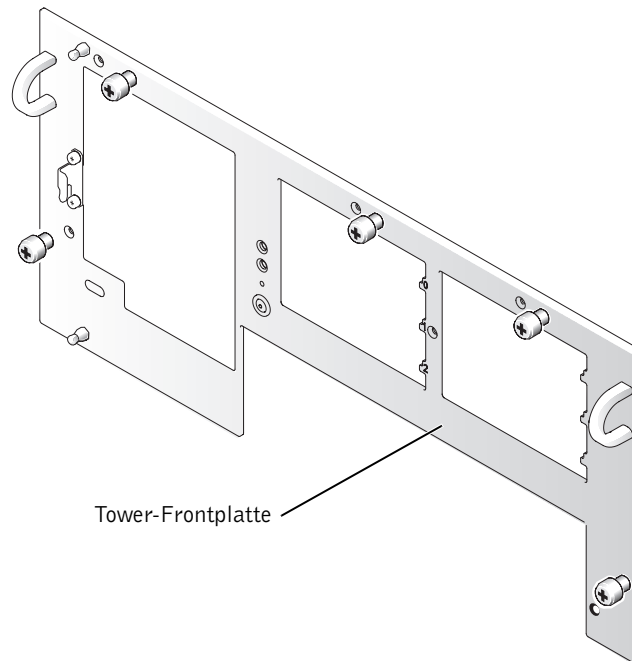
**HINWEIS:** Eventuell müssen Sie das Chassis leicht kippen, um genug Platz für die Befestigung der linken Verkleidung zu bekommen.

Stellen Sie sicher, dass die Verkleidung bündig mit der Vorderseite des System-Chassis abschließt.

## Installation der Tower-Frontplatte

- 1 Befestigen Sie die Tower-Frontplatte auf der Vorderseite des Gehäuses (siehe Abbildung 3-6) und sichern Sie sie mit 16 T-10 Torx-Schrauben.
- 2 Installieren Sie die Festplatten wieder in ihren jeweiligen Einbaupositionen.

**Abbildung 3-6. Installation der Tower-Frontplatte**



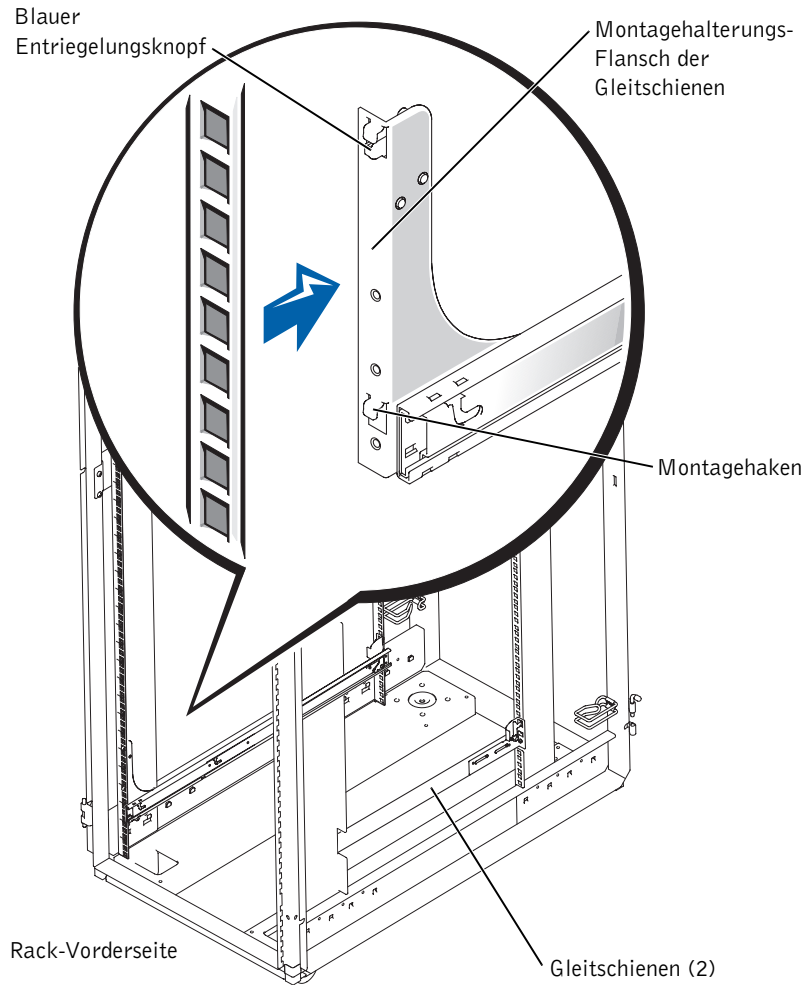
## Einbau von Abdeckung, Füßen und Blende

- 1 Legen Sie das System auf die linke Seite.
- 2 Bringen Sie die Systemabdeckung wieder an.
- 3 Setzen Sie die Metallfüße auf die Löcher in den vier Ecken und sichern Sie die Füße jeweils mit einer 6-32 x 0,25-Zoll Sechskant-Kreuzschlitzschraube.
- 4 Setzen Sie die Blende wieder ein:
  - a Richten Sie die beiden Flügelschrauben nach den Montagelöchern an der Vorderseite des Systems aus (siehe Abbildung 3-4).
  - b Ziehen Sie die Flügelschrauben an, um die Blende zu befestigen (siehe Abbildung 3-4).
  - c Schließen Sie die Blende, bis sie einrastet.
  - d Schließen Sie die Blende mit dem Systemschlüssel zu.

## Entfernen der Gleitschienen

- 1 Suchen Sie auf der Vorderseite des Gestellschranks den blauen Entriegelungsknopf auf einem der Montagehalterungs-Flansche der Gleitschienen (siehe Abbildung 3-7).
- 2 Drücken Sie von der Vorderseite des Gestellschranks her auf den blauen Entriegelungsknopf, heben Sie die Gleitschienen an und drücken Sie sie ca. 3 cm von der vorderen vertikalen Schiene weg, bis sich der Flansch der Montagehalterung und seine Montagehaken aus den rechteckigen Löchern in der vertikalen Schiene lösen (siehe Abbildung 3-7).
- 3 Wiederholen Sie Schritt 2 auf der Rückseite des Schrankes für die dortigen Gleitschienen.
- 4 Wiederholen Sie die Schritte 1 bis 3 für die übrigen Gleitschienen auf der anderen Seite des Racks.
- 5 Legen Sie den Kabelarm, die Kabelführung, die Gleitschienen und alle Befestigungshardware in eine Kiste. Beschriften Sie die Kiste als Rack-Installations-Kit des Systemmodells, das Sie aus dem Rack entfernt haben.

**Abbildung 3-7. Entfernen der Gleitschienen**



## Wiederanbringen der Rack-Türen




Siehe Vorgehensweise zum Austauschen der Türen in der Dokumentation Ihres Gestellschranks.

Damit ist die Tower-Konvertierung Ihres Systems abgeschlossen.

Dell™ システム

# ラック - タワー転換ガイド

# メモ、注意および警告

-  **メモ**：メモは、コンピュータを使いやすくする為の重要な情報を説明しています。
-  **注意**：注意は、ハードウェアの損傷やデータの損失の可能性を示し、その危険を回避するための方法を説明しています。
-  **警告**：警告は、物的損害、けが、または死亡の原因となる可能性があることを示します。

---

ここに記載されている内容は予告なく変更されることがあります。

© 2002 すべての著作権は Dell Computer Corporation にあります。

Dell Computer Corporation の書面による許可のない複製は、いかなる形態においても厳重に禁じられています。

本書で使用されている商標について：Dell および DELL ロゴは Dell Computer Corporation の商標です。

本書では、必要に応じて上記記載以外の商標および会社名が使用されている場合がありますが、これらの商標や会社名は、一切 Dell Computer Corporation に所属するものではありません。



# 目次

ラック - タワーキットの内容.....	4-2
はじめに.....	4-4
ラックの扉の取り外し .....	4-4
推奨工具および備品 .....	4-4
転換手順 .....	4-4
ラックの扉の取り外し.....	4-5
ケーブル処理アームの取り外し.....	4-5
ラックからのシステムの取り外し.....	4-7
ベゼル、カバー、正面パネルの取り外し .....	4-9
タワー左側トリムパネルの取り付け .....	4-11
タワー正面パネルの取り付け .....	4-11
カバー、足、ベゼルの取り付け.....	4-12
スライドアセンブリの取り外し.....	4-12
ラックの扉の取り付け .....	4-13



図 4-1	ラック - タワーキットの内容.....	4-3
図 4-2	ケーブル処理アームの取り外し .....	4-6
図 4-3	スライドアセンブリからのシステムの 取り外し .....	4-8
図 4-4	正面ベゼルの取り外しまたは取り付け .....	4-9

図 4-5	システムのカバーの取り外し .....	4-10
図 4-6	タワー正面パネルの取り付け .....	4-11
図 4-7	スライドアセンブリの取り外し .....	4-13

この転換ガイドでは、トレーニングを受けたサービス技術者が1基以上のシステムをラックキャビネットから取り外し、そのシステムをタワーバージョンに転換するための手順を説明します。ラックバージョンからタワーバージョンに転換するシステム1基ごとにラック-タワー転換キット1セットが必要です。

**⚠ 警告:** システムの重量は、完全装備時で最大 43 kg になります。ご自身のけがを防ぐために、決して1人でシステムを動かそうとしないでください。

## 安全にお使いいただくために

ご自身の身体の安全を守り、システムを損傷から保護するために、以下の点にご注意ください。

以下の安全に関する各項では、警告アイコン（**⚠**）を使用して、確認および遵守する必要がある注意事項を示しています。安全に関する情報の詳細については、システムに同梱されている『システム情報』マニュアルを参照してください。

### ラックに設置可能な製品に対する注意点

ラックの安定性や安全性に関して、次の点にご注意ください。また、特定の警告文や手順については、システムおよびラック付属のラック取り付けマニュアルを参照してください。

システムはラックの一部とみなします。したがって、「部品」には、さまざまな周辺機器やサポートハードウェアと同様に、システムも含まれます。

**⚠ 警告 :** ラック正面および横の安定板を取り付けずにシステムを取り付けると、ラックが転倒し、けがをする恐れがあります。そのため、必ず安定板を取り付けてからラックに部品を取り付けてください。

ラックにシステムや部品を取り付けた後は、一度に2台以上の部品を、スライドアセンブリのラックから引き出さないでください。重みでラックが転倒し、けがをする恐れがあります。

**📌 メモ :** ご使用のシステムは、独立型のユニットとして、また、カスタマラックキットで構成される Dell ラックキャビネットに取り付ける部品として、その安全性が保証されています。システムおよびラックキットを Dell 以外のメーカーのラックキャビネットに取り付ける場合は、安全性が保証されていません。他のメーカーのラックキャビネットですシステムやラックキットを最終的に組み合わせて使用する場合は、ユーザが責任を持って認定安全機関で適合性の評価を受けてください。Dell では、このような組み合わせに関連するいかなる責任および保証も負いません。

- システムラックキットは、トレーニングを受けたサービス技術者がラックに取り付けます。キットを別のラックに取り付ける場合は、そのラックが Dell のラック仕様に適合していることを確認してください。



**警告：**1人でラックを動かさないでください。ラックには高さがあり重いため、2人以上で移動してください。

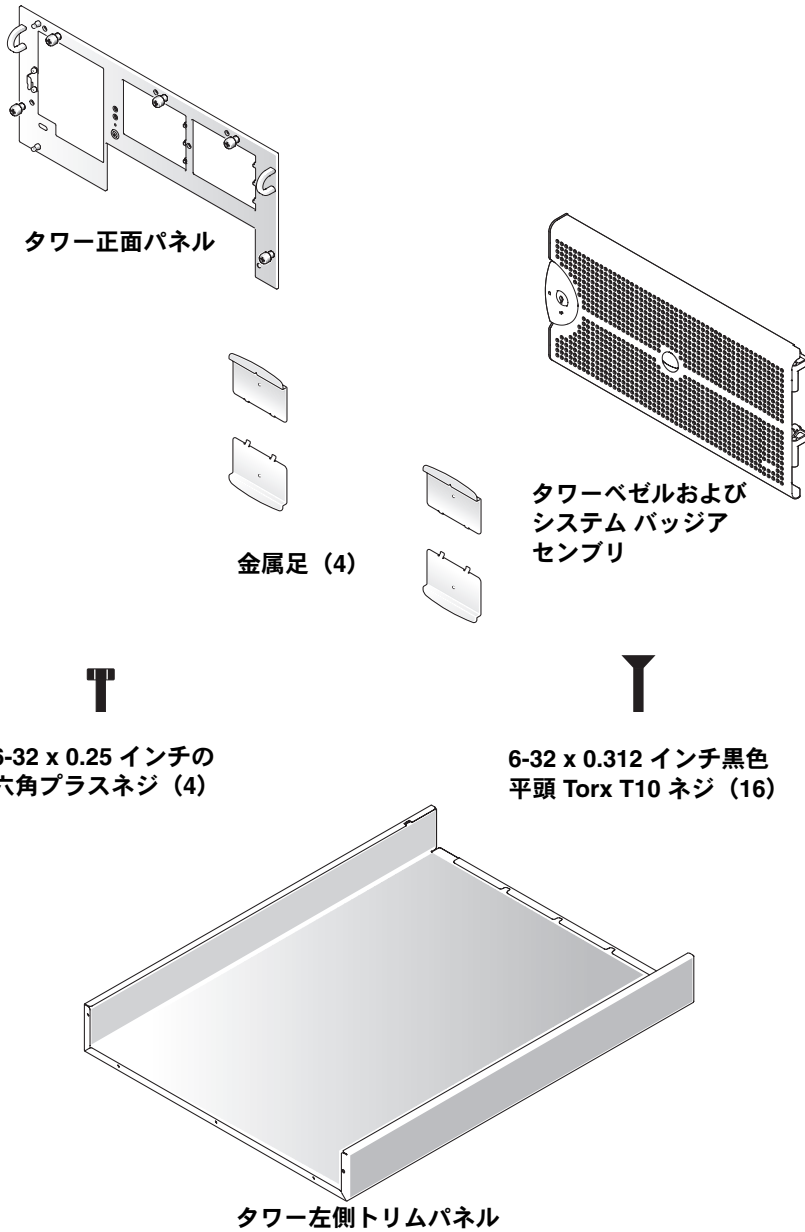
- ラックを移動する前に、安定板がラックに固定されて床面に伸び、ラックの全重量が床面にかかっていることを確認してください。ラックを移動する前に、1つのラックの場合は正面と横の安定板、複数の組み合わせられたラックの場合は正面の安定板を取り付けます。
- ラックには必ず下から上の順に、最も重いものから設置します。
- 部品をラックから引き出す前に、ラックが平行で安定していることを確認してください。
- 部品レールリリースラッチを押し、部品をラックの中または外にスライドする場合はご注意ください。スライドレールに指をはさまれることがあります。
- 部品をラックに設置したら、レールをロック位置に静かに伸ばし、部品をラックの中にスライドします。
- ラックに電力を送る AC 分岐回路に過重電流を流さないでください。ラックの総負荷が分岐回路定格の 80% を超えないようにしてください。
- ラックの部品に空気が十分に送られていることを確認します。
- ラックの他のシステムでの作業中に、部品の上に乗ったり、立ったりしないでください。

## ラック - タワーキットの内容

ラック - タワーキットの内容は、次のとおりです（図 4-1 を参照してください）。

- タワーベゼルとシステムバッジアセンブリ 1 個。キーロックとキーが付属しています。
- タワー正面パネル 1 枚
- タワー左側トリムパネル 1 枚
- 金属足 4 個
- 6-32 x 0.25 インチ六角プラスネジ 4 本
- 6-32 x 0.312 インチ黒色平頭 Torx ネジ 16 本

図 4-1. ラック - タワーキットの内容



# はじめに

システムをラックから取り外してタワーバージョンに転換する作業を始める前に、安全にお使いいただくためにをよくお読みください。

## ラックの扉の取り外し

ラックキャビネットに同梱のマニュアルに記載されている扉の取り外し手順を参照してください。

## 推奨工具および備品

転換を行うには、次の工具が必要です。

- A #2 プラスドライバ
- A マイナスドライバ
- Torx T-10 ドライバ（正面パネルの取り外しおよび取り付け用）

## 転換手順

ラックからのシステムの取り外しと、ラックキャビネットからのラック取り付けハードウェアの取り外しには、次の手順が必要です。

- ラックの扉の取り外し
- ケーブル処理アームおよびケーブルトレイの取り外し
- ラックからシステムを取り外します。
- カバー、ベゼル、正面パネルを取り外します。
- タワー左側トリムパネルの取り付け
- タワー正面パネルの取り付け
- 金属足を取り付けます。
- タワー正面ベゼルを取り付けます。
- スライドアセンブリを取り外します。
- ラックの扉の取り付け

## ラックの扉の取り外し

ラック内部で作業を行えるようにするため、またラックキャビネットからシステムやラックキットを取り外す際に扉の損傷を防ぐために、ラックキャビネットから扉を取り外す必要があります。

ラックの扉の取り外し手順については、ラックに同梱されているマニュアルを参照してください。ラックキャビネットからシステムを取り外す作業を行っている場合は、システムの『ラック取り付けガイド』に記載されている手順を参照してください。

## ケーブル処理アームの取り外し

- 1 取り外すシステムをシャットダウンして電源を切り、このシステムに接続されているすべての周辺機器を取り外します。
- 2 ラックキャビネットの背面から、AC 電源ケーブルと、ベルクロストラップでケーブル処理アームに固定されている、システム背面接続のすべてのケーブルを抜き、取り除きます。
- 3 ケーブル処理アームの前面をケーブルトレイに固定している拘束ネジを緩めま  
す（図 4-2 参照）。
- 4 ケーブル処理アームをケーブルトレイから引き出します。
- 5 ケーブル処理アームの後部を背面の垂直レールに固定している拘束ネジとその  
ブラケットを取り外します（図 4-2 参照）。





# ラックからのシステムの取り外し

**⚠ 警告**：複数のシステムをラックキャビネットから取り外す場合は、一番高い位置にあるシステムから取り外してください。最初のシステムをラックから完全に取り外してから、2つ目のシステムを取り外してください。決して1度に複数のシステムをラックから取り外さないでください。

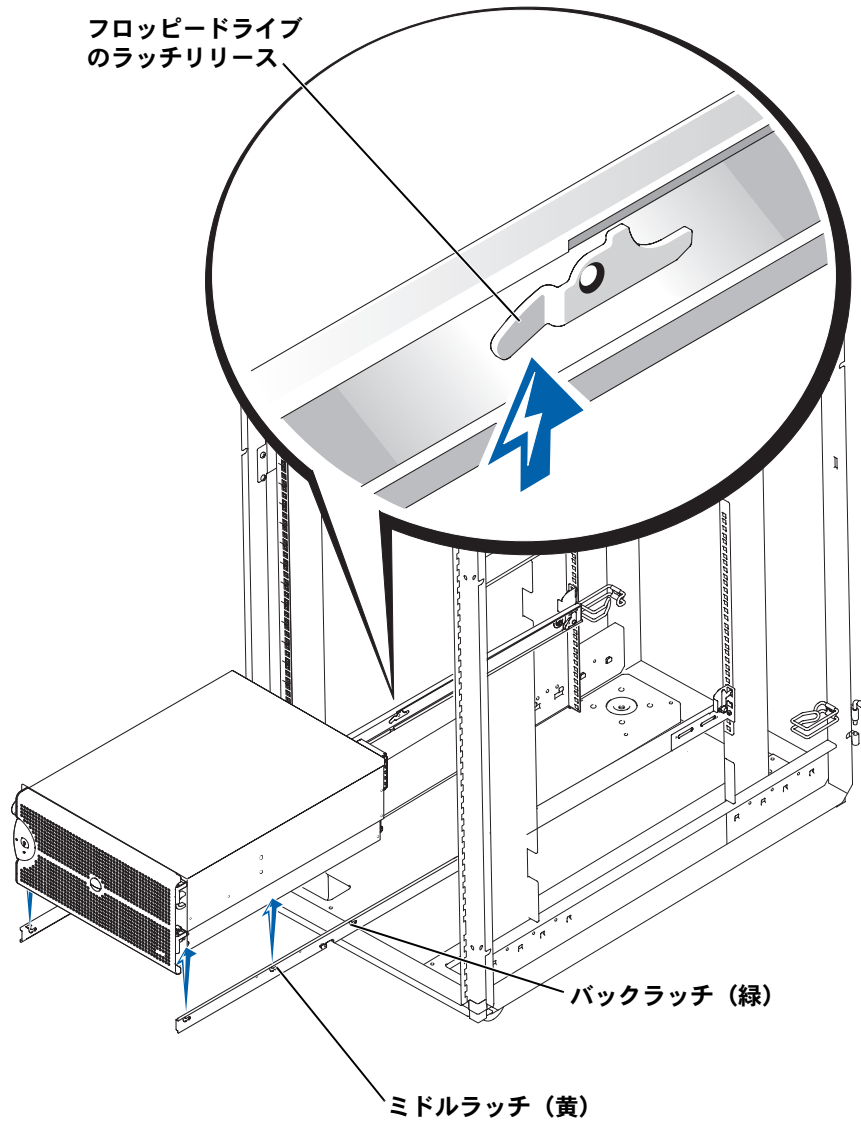
**⚠ 警告**：ラックキャビネットの高い位置にあるシステムを取り外すには、最大4人の作業者を必要とし、作業者が立つための頑丈な高い台が必要な場合があります。作業者の人数に適した、電動で高さの調節できる台などの装置も役立ちます。手順を安全に実行するのに不十分な人数でシステムを取り外して降ろそうとした場合は、本人および周囲の人々がケガをしたり、システムが損傷する危険があります。

- 1 正面パネルを正面の垂直レール（ラックキャビネットの正面にあります）に固定しているネジを緩めます。
- 2 スライドアセンブリが完全に引き出された位置でロックされるまで、システムをスライドアセンブリとともにラックから引き出します。
- 3 黄色いシステムリリースラッチを押し、スライドアセンブリの一番手前までシステムを引き出します（図 4-3 参照）。
- 4 2～4人でシステムの端をそれぞれしっかりとつかみ、システムをスライドアセンブリから持ち上げて外します（図 4-3 参照）。

肩付きネジは、スライド部の最も外側まで上げておく必要があります。難しい場合は、スライドアセンブリの肩付きネジが、スライドの一番上のそれぞれの穴に揃うようにしてください。

- 5 システムを平らな作業面に置きます。

図 4-3. スライドアセンブリからのシステムの取り外し

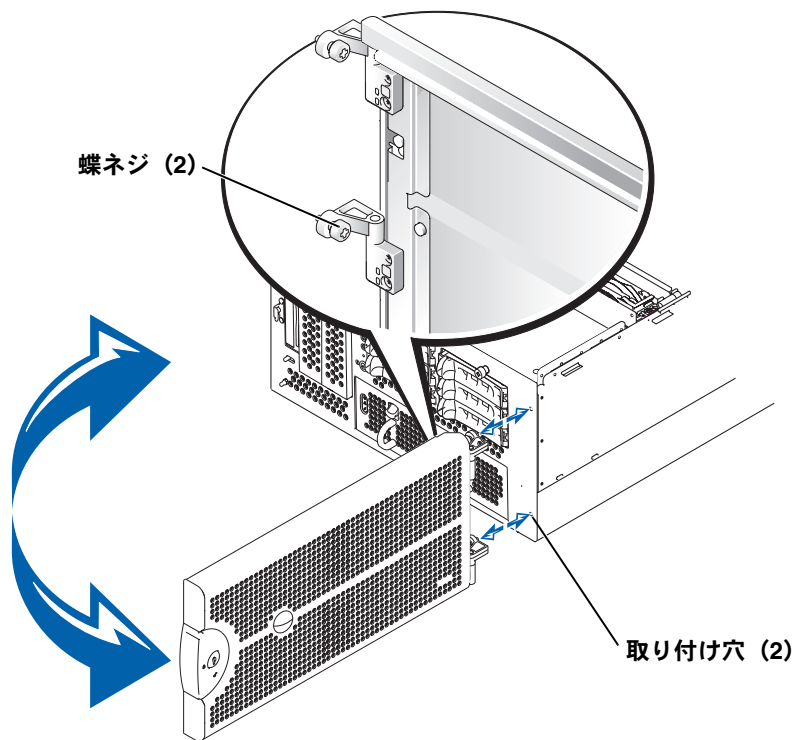


## ベゼル、カバー、正面パネルの取り外し

この手順は、システムを側面で寝かせると作業しやすくなります。（図 4-4 参照）。

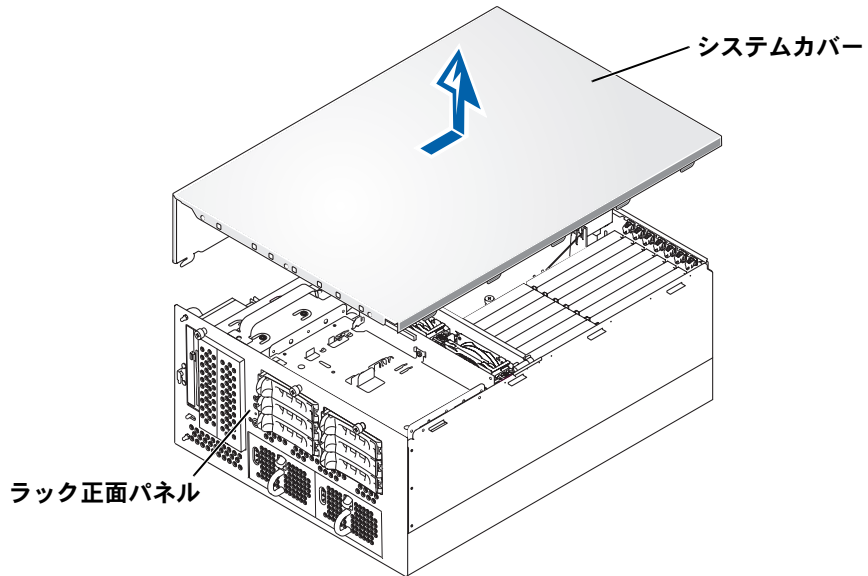
- 1 次の手順でベゼルを取り外し、脇に置きます。
  - a システムキーを使用して、ベゼルのロックを解除します。
  - b システムと垂直になる位置までベゼルを開きます（図 4-4 参照）。
  - c 蝶ネジを緩めてベゼルの緩めます（図 4-4 参照）。
  - d ベゼルをシャーシから外します。

図 4-4. 正面ベゼルの取り外しまたは取り付け



- 2 システムカバーを外し、脇に置きます（図 4-5 参照）。
  - a システム前面の 3 本の蝶ネジを緩めます（図 4-5 参照）。

図 4-5. システムのカバーの取り外し



- b システムカバーを後方にずらし、両端をしっかりとつかみます（図 4-5 参照）
  - c システムからカバーを慎重に持ち上げ、脇に置きます。
- 3 各ハードドライブに、シャーシ内のそれぞれの位置を示したラベルを貼ります。
- 4 ハードドライブをシステムから取り外します。
- 5 ラックの正面パネルをシャーシに固定している 13 本の T-10 Torx ネジを取り外します。
- 6 シャーシからラックの正面パネルを持ち上げて外し、脇に置きます。

## タワー左側トリムパネルの取り付け

**メモ**：左側トリムパネルを取り付ける場合は、シャーシをタワー方向で立てると作業がしやすくなります。

後端がシャーシ背面から 12.7 mm 突き出すようにタワー左側トリムパネルを支え、停止するまで正面パネルにスライドさせます。

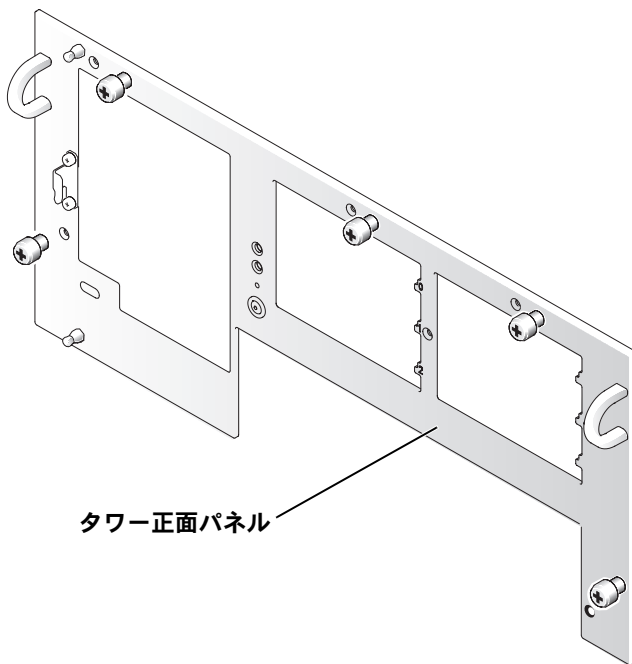
**メモ**：左側トリムパネルを取り付ける空間を確保するために、シャーシを多少傾ける必要がある場合があります。

トリムパネルがシステムシャーシの正面と同じ高さに揃っていることを確認します。

## タワー正面パネルの取り付け

- 1 タワー正面パネルをシャーシの正面に取り付け（図 4-6 参照）、16 本の T-10 Torx ネジで固定します。
- 2 ハードドライブをそれぞれの正しい位置に再び取り付けます。

図 4-6. タワー正面パネルの取り付け



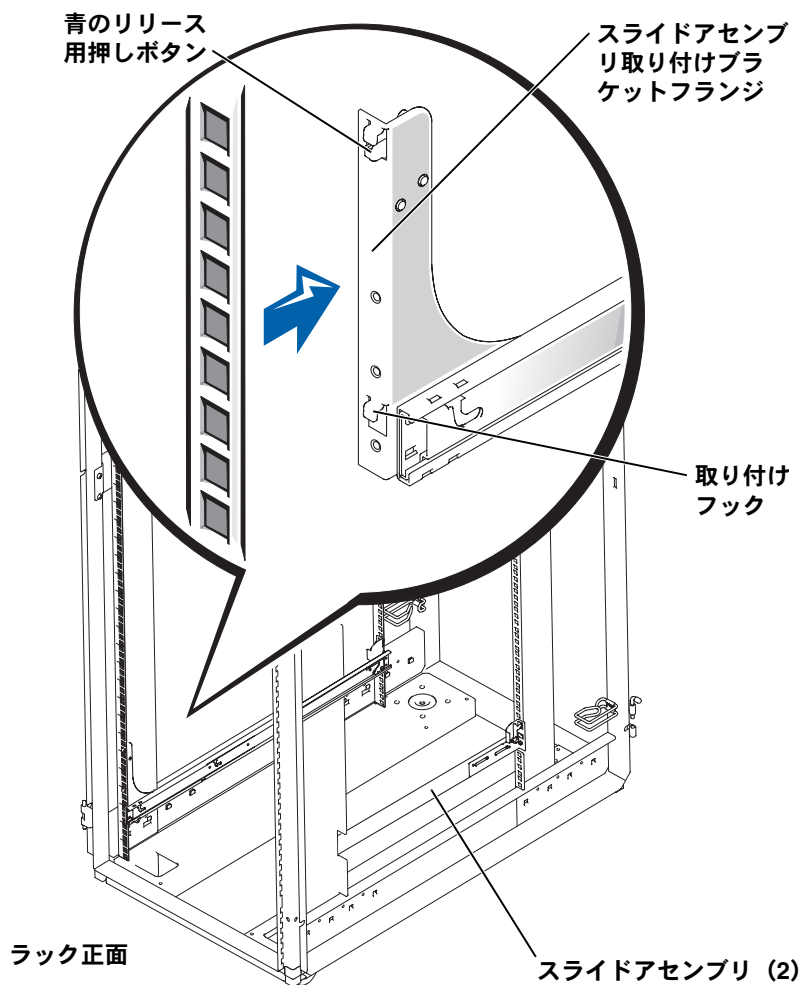
## カバー、足、ベゼルの取り付け

- 1 システムの左側を下にして置きます。
- 2 システムカバーを元どおりに取り付けます。
- 3 四隅の穴に金属足を合わせ、6-32 x 0.25 インチの六角プラスネジで固定します。
- 4 ベゼルを取り付けます。
  - a 2本の蝶ネジをシステム正面の取り付け穴に揃えます（図 4-4 参照）。
  - b 蝶ネジを締め付け、ベゼルを固定します（図 4-4 参照）。
  - c 所定の位置にカチッと固定されるまでベゼルの動かしします。
  - d システムキーを使用して、ベゼルのロックします。

## スライドアセンブリの取り外し

- 1 ラックキャビネットの正面で、スライドアセンブリの取り付けブラケットフランジの1つにある青いリリース用押しボタンを探します（図 4-7 参照）。
- 2 ラックキャビネットの正面で青いリリース用押しボタンを押し、スライドアセンブリを持ち上げ、取り付けブラケットのフランジおよび取り付けフックと正面垂直レールの四角い穴とが離れるよう、正面垂直レールから約 1 インチ奥までアセンブリをスライドして押し込みます。（図 4-7 参照）。
- 3 同じスライドアセンブリについて、キャビネットの後方で手順 2 を繰り返します。
- 4 ラック反対側のもう 1 つのスライドアセンブリについて、手順 1 から 3 を繰り返します。
- 5 ケーブル処理アーム、ケーブルトレイ、スライドアセンブリ、およびその他の固定ハードウェアを箱に収納します。箱には、ラックから取り外したシステムモデルのラック取り付けキットとしてラベルを貼ります。

図 4-7. スライドアセンブリの取り外し



## ラックの扉の取り付け

扉の取り付け手順は、ご使用のラックキャビネットに同梱されているマニュアルを参照してください。

これでお使いのシステムのタワーへの転換は完了です。





Sistemas Dell™

# Guía de conversión de estante a torre



# Notas, avisos y precauciones



**NOTA:** una NOTA indica información importante que le ayudará a usar mejor su ordenador.



**AVISO:** un AVISO indica un posible daño en el hardware o la pérdida de datos e informa de cómo evitar el problema.



**PRECAUCIÓN:** un mensaje de **PRECAUCIÓN** indica la posibilidad de que el equipo resulte averiado, de sufrir lesiones personales o incluso la muerte.

---

La información de este documento está sujeta a modificaciones sin previo aviso.

© 2002 Dell Computer Corporation. Reservados todos los derechos.

Queda prohibida su reproducción en cualquier medio sin la autorización por escrito de Dell Computer Corporation.

Marcas comerciales que aparecen en el texto: *Dell* y el logotipo de *DELL* son marcas comerciales de Dell Computer Corporation.

En este documento pueden utilizarse otras marcas y nombres comerciales para referirse a las entidades propietarias de dichas marcas y nombres, o a sus productos. Dell Computer Corporation renuncia a cualquier derecho sobre las marcas y nombres comerciales que no sean de su propiedad.

Junio de 2002 P/N 5T372 Rev. A00

# Contenido


- Contenido del kit de conversión de estante a torre . . . . . 5-2**
  
- Antes de empezar . . . . . 5-4**
  - Desmontaje de las puertas del estante . . . . . 5-4
  - Herramientas y suministros recomendados . . . . . 5-4
  - Tareas de conversión . . . . . 5-4
  
- Desmontaje de las puertas del estante . . . . . 5-5**
  
- Desmontaje de la extensión para tendido de cables . . . . . 5-5**
  
- Desmontaje del sistema del estante . . . . . 5-7**
  
- Desmontaje de la cubierta, la solapa y el panel frontal . . . . . 5-9**
  
- Montaje del panel para el lateral izquierdo de la torre . . . . . 5-11**
  
- Instalación del panel frontal de la torre. . . . . 5-11**
  
- Instalación de la solapa, las patas y la cubierta . . . . . 5-12**
  
- Desmontaje de los conjuntos deslizantes. . . . . 5-12**
  
- Colocación de las puertas del estante . . . . . 5-13**

## Figuras

- Figura 5-1. Contenido del kit de conversión de estante a torre . . . . . 5-3
  
- Figura 5-2. Desmontaje de la extensión para tendido de cables. . . . . 5-6
  
- Figura 5-3. Extracción del sistema de los conjuntos deslizantes . . . . . 5-8
  
- Figura 5-4. Extracción o colocación del bisel frontal . . . . . 5-9


Figura 5-5.	Desmontaje de la tapa del sistema . . . . .	5-10
Figura 5-6.	Montaje del panel frontal de la torre . . . . .	5-11
Figura 5-7.	Desmontaje de los conjuntos deslizantes . . . . .	5-13

Esta guía de conversión ofrece instrucciones para técnicos de servicio experimentados que deseen desmontar uno o varios sistemas de un armario del estante y convertir el sistema en una versión de torre. Es necesario disponer de un kit de conversión de bastidor a torre para cada sistema que desee convertir de la versión en bastidor a la versión de torre.

 **PRECAUCIÓN:** el sistema puede llegar a pesar hasta 43 kilos (95 libras) cuando está completamente cargado. Con el fin de evitar lesiones personales, no intente mover el sistema sin ayuda.

## Instrucciones de seguridad


Siga estas directrices de seguridad para garantizar su propia seguridad y la del servidor, el sistema de almacenamiento o el equipo frente a posibles daños.

En esta sección de seguridad, se utiliza el icono de precaución () para indicar las precauciones y cuidados que debe tener en cuenta y seguir. Para obtener información completa acerca de la seguridad y las normas, consulte la guía *Información del sistema* que se entrega con el sistema.


### Precauciones para los productos montables en estante

Tenga en cuenta estas precauciones para garantizar la estabilidad y seguridad del estante. Consulte también la documentación de montaje en estante que se suministra con el sistema y el estante para conocer las indicaciones y los procedimientos específicos de precaución.

Los sistemas se consideran componentes del estante. Por lo tanto, "componente" se refiere a cualquier sistema, así como a los distintos periféricos o al hardware de soporte.

 **PRECAUCIÓN:** el montaje de los sistemas en un estante sin los estabilizadores delanteros o laterales montados puede hacer que vuelque el estante, hecho que puede llegar a producir lesiones personales en ciertas circunstancias. Por tanto, monte siempre los estabilizadores antes de montar los componentes en el estante.

**Después de montar los sistemas o componentes en un estante, nunca extraiga más de un componente sobre sus ensamblajes deslizantes de forma simultánea. El peso de más de un componente puede hacer que vuelque el estante y producir lesiones graves.**

 **NOTA:** el sistema Dell está homologado en cuanto a seguridad como unidad autónoma y como componente para su uso en un armario de estante utilizando el kit para estante del cliente. El montaje del sistema y el kit de estante en otros armarios de estantes no ha sido aprobado por ninguna agencia de seguridad. Es responsabilidad del cliente la evaluación, por parte de una agencia de seguridad certificada, de la combinación de sistema y kit para estante montados en armarios de estantes de otras marcas. Dell declina toda responsabilidad y garantías relacionadas con tales combinaciones.

- Los kits de estantes están concebidos para su montaje en estantes por parte de técnicos de servicio con experiencia. Si monta el kit en cualquier otro tipo de estante, éste debe cumplir las especificaciones de un estante Dell.

**⚠ PRECAUCIÓN: no mueva estantes de gran tamaño sin ayuda. Debido a la altura y el peso del estante, se recomienda un mínimo de dos personas para realizar dicha tarea.**

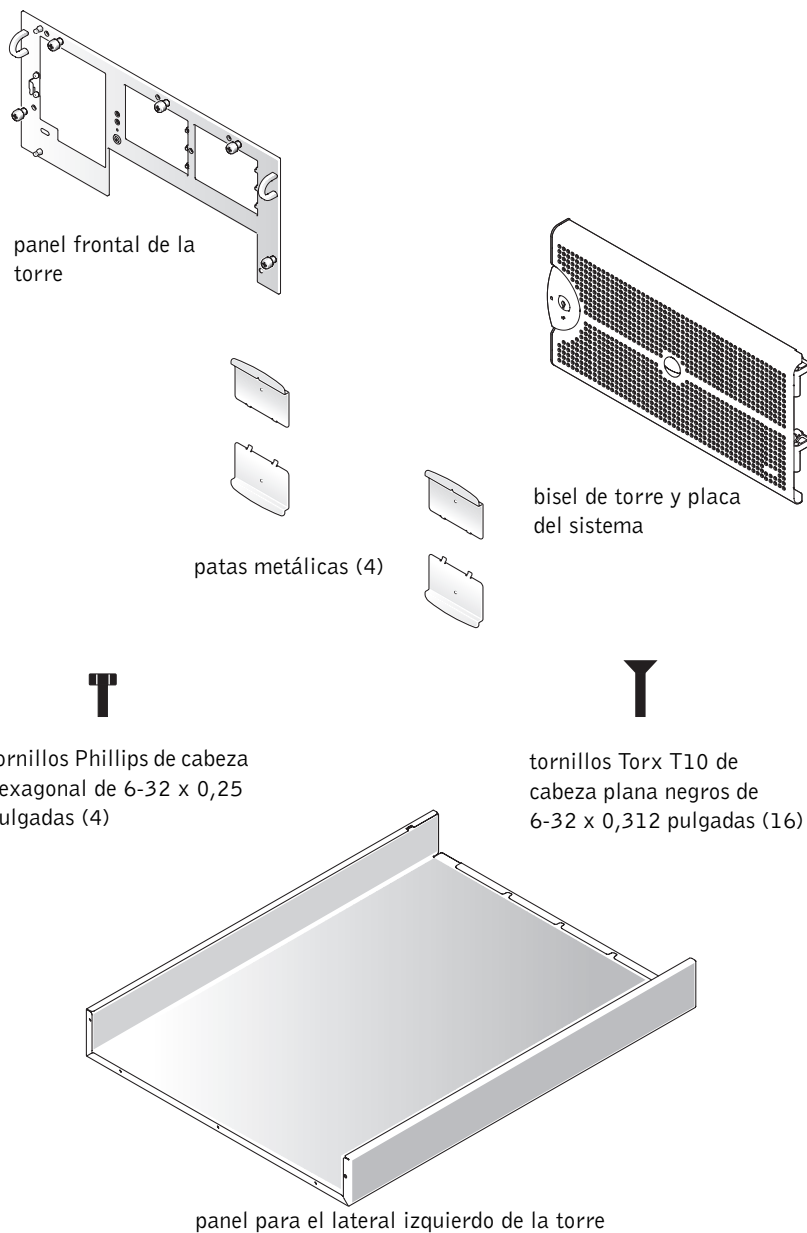
- Antes de trabajar en el estante, los estabilizadores deben estar fijados en el estante, deben llegar al suelo y todo el peso del estante debe descansar sobre el suelo. Asimismo, monte los estabilizadores delanteros y laterales en un único estante, o los estabilizadores delanteros para varios estantes unidos.
- Cargue siempre el estante desde la parte inferior hacia arriba, colocando en primer lugar el elemento más pesado.
- El estante debe estar nivelado y estabilizado antes de extraer un componente.
- Tenga cuidado al presionar los pestillos de liberación de los rieles de componentes y al extraer o volver a introducir un componente en el estante, puesto que puede pillarse los dedos con los rieles deslizantes.
- Una vez insertado un componente en el estante, extienda con cuidado el riel hasta su posición de bloqueo y deslice el componente hacia el interior del estante.
- No sobrecargue el ramal del circuito de alimentación de CA que suministra energía al estante. La carga total del estante no debe ser superior al 80 por ciento del valor nominal del ramal del circuito.
- Los componentes del estante deben disponer de suficiente flujo de aire.
- No se suba ni se apoye en ningún componente al reparar otros componentes del estante.

## Contenido del kit de conversión de estante a torre

El kit de conversión de estante a torre consta de los elementos siguientes (consulte la Figura 5-1):

- Una solapa de torre y un conjunto de placa de sistema, con cerradura y llaves
- Un panel frontal para la torre
- Un panel para el lateral izquierdo de la torre
- Cuatro patas metálicas
- Cuatro tornillos Phillips de cabeza hexagonal de 6-32 x 0,25 pulgadas
- Dieciséis tornillos Torx de cabeza plana negros de 6-32 x 0,312 pulgadas

**Figura 5-1. Contenido del kit de conversión de estante a torre**



## Antes de empezar

Antes de comenzar a desmontar el sistema de estantes y convertirlo en un sistema versión torre, lea detenidamente las "Instrucciones de seguridad."

### Desmontaje de las puertas del estante

Para retirar las puertas, consulte los procedimientos en la documentación suministrada con el armario del estante.

### Herramientas y suministros recomendados

Para llevar a cabo la conversión son necesarias las siguientes herramientas:

- Destornillador Phillips del n° 2
- Un destornillador de punta plana
- Llave Torx T-10 (para retirar e instalar los paneles frontales)

### Tareas de conversión

El desmontaje de un sistema del estante y la extracción del armario de montaje en estantes incluye las siguientes tareas:

- Desmontaje de las puertas del estante
- Desmontaje de la extensión para el tendido de cables y de la bandeja para cables
- Desmontaje del sistema del estante
- Desmontaje de la cubierta, la solapa y el panel frontal
- Montaje del panel para el lateral izquierdo de la torre
- Montaje del panel frontal de la torre
- Montaje de las patas metálicas
- Montaje de la solapa frontal de la torre
- Desmontaje de los conjuntos deslizantes
- Colocación de las puertas del estante



## Desmontaje de las puertas del estante

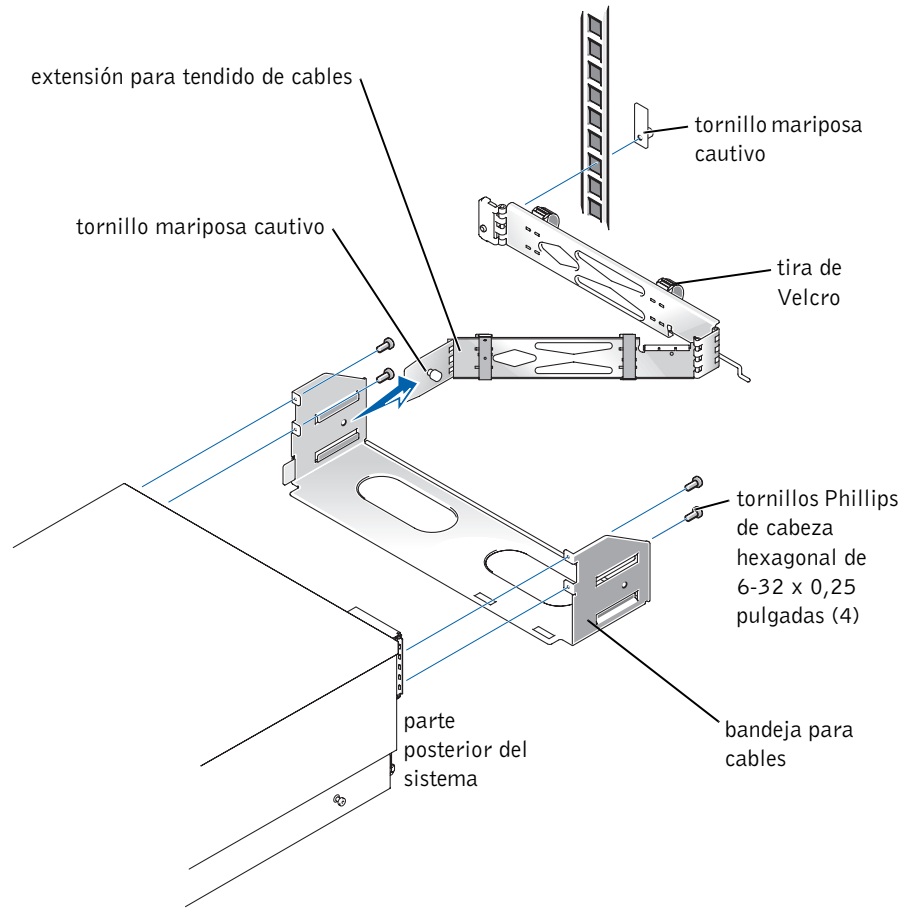
Debe desmontar las puertas del armario del estante para dar acceso al interior del estante y para evitar dañar las puertas al extraer el sistema y el kit de estantes del armario.

Consulte la documentación que se facilita con el estante para obtener instrucciones sobre el desmontaje de las puertas del estante. Si va a extraer un sistema de un armario de estantes, consulte los procedimientos indicados en la *Guía de montaje del estante*.

## Desmontaje de la extensión para tendido de cables


- 1 Apague y desconecte el sistema que esté extrayendo y todos los periféricos conectados al mismo.
- 2 En la parte posterior del armario de estantes, desconecte y retire el cable de alimentación de CA y todos los cables que están conectados a la parte posterior del sistema y fijados a la extensión para tendido de cables con tiras de Velcro.
- 3 Afloje el tornillo mariposa cautivo que sujeta la parte frontal de la extensión para tendido de cables con la bandeja para cables (remítase a la Figura 5-2).
- 4 Tire de la extensión para el tendido de cables de la bandeja para cables.
- 5 Retire el tornillo mariposa cautivo y su soporte, que sujeta el extremo posterior del cable de la extensión para tendido de cables a la guía vertical trasera (remítase a la Figura 5-2).


**Figura 5-2. Desmontaje de la extensión para tendido de cables**



- 6 Desatornille los cuatro tornillos Phillips de cabeza hexagonal de 6-32 x 0,25- pulgadas para retirar la bandeja para cables de la parte posterior del sistema (consulte la Figura 5-2).

# Desmontaje del sistema del estante

 **PRECAUCIÓN:** si va a desmontar más de un sistema del armario de estante, extraiga primero el sistema situado en la parte superior. Termine de desmontar el primer sistema del estante antes de comenzar con el segundo. Nunca extraiga más de un sistema del estante a la vez.

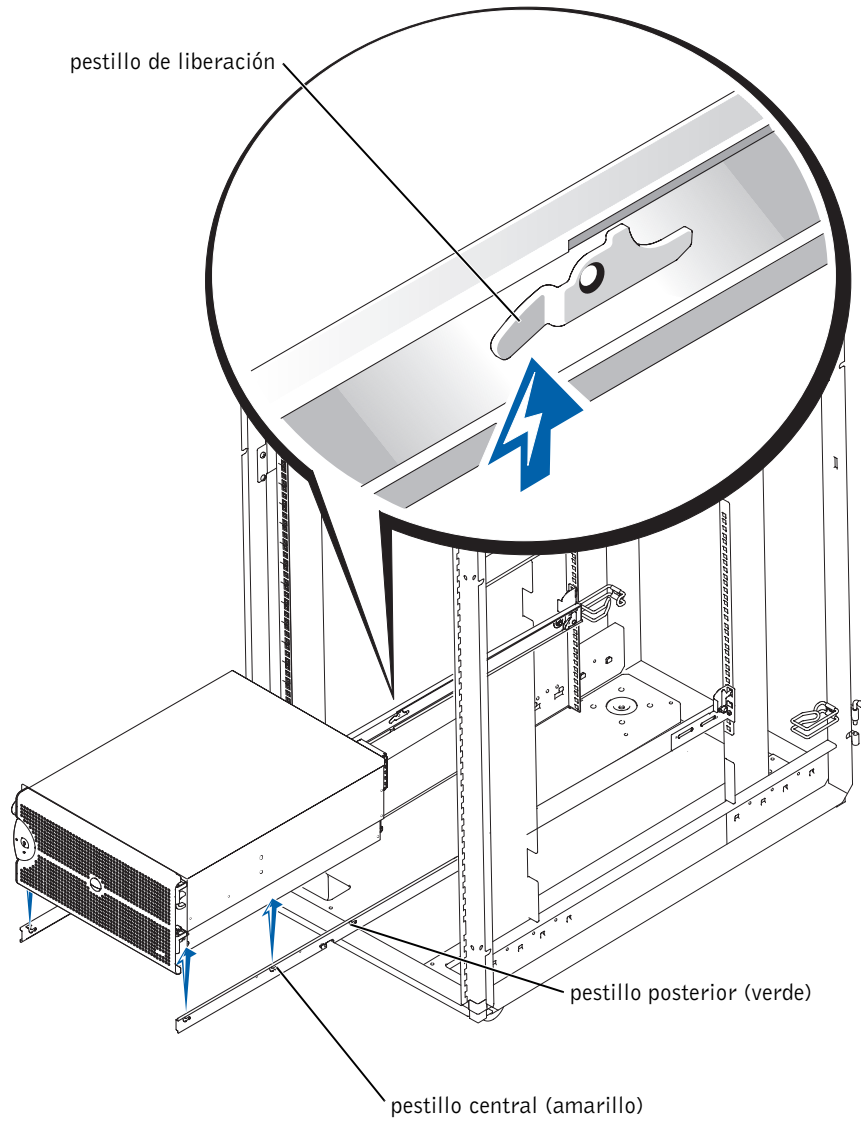
 **PRECAUCIÓN:** para desmontar un sistema en una posición elevada del armario son necesarias hasta cuatro personas y tal vez necesite una plataforma elevada y resistente donde colocarse. También puede ser útil una plataforma elevadora mecánica o un equipo similar con la capacidad apropiada. Si intenta extraer o bajar el sistema sin las personas suficientes para llevar a cabo esta tarea de forma segura, corre el riesgo de sufrir daños personales o causar daños a otras personas o al sistema.

- 1 Afloje los tornillos que sujetan el panel frontal a las guías verticales delanteras (en la parte frontal del armario del estante).
- 2 Extraiga el sistema del estante sobre sus conjuntos deslizantes hasta que el tope del conjunto deslizante encaje en su posición más extendida.
- 3 Presione hacia arriba en el pestillo amarillo de liberación del sistema y extraiga el sistema hacia el frente y hacia la posición más externa de los conjuntos deslizantes (consulte la Figura 5-3).
- 4 Dos de las cuatro personas deben sujetar el sistema por cada esquina, levantarlo y extraerlo de los conjuntos deslizantes (consulte la Figura 5-3).

Los tornillos con pivote deben salir de la sección más externa de la guía. Si tiene dificultades, asegúrese de que los tornillos con pivote del conjunto deslizante están alineados con sus aberturas en la parte superior de la guía.

- 5 Coloque el sistema en una superficie de trabajo blanda.

**Figura 5-3. Extracción del sistema de los conjuntos deslizantes**

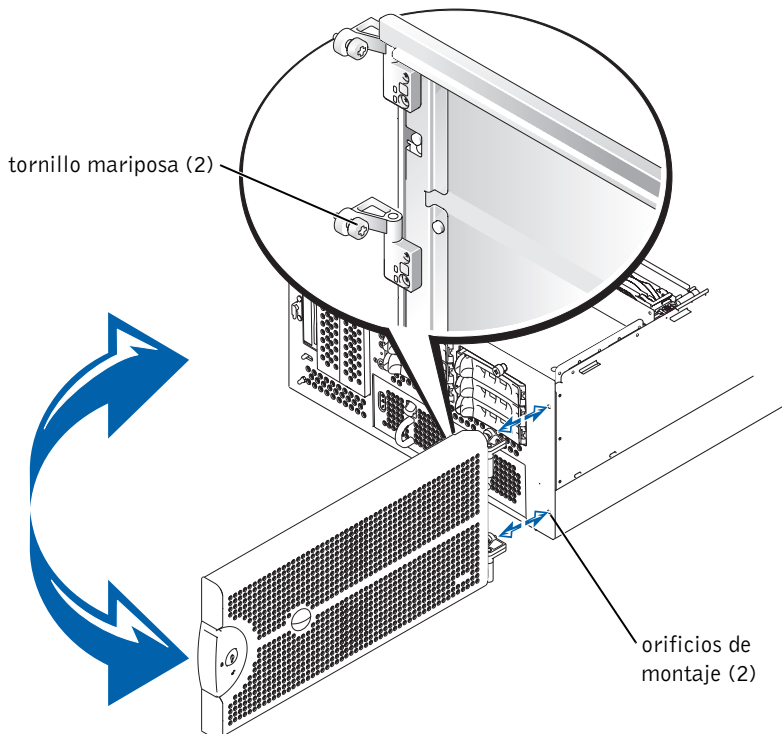


# Desmontaje de la cubierta, la solapa y el panel frontal

Este procedimiento se realiza mejor con el sistema colocado de lado (consulte la Figura 5-4).

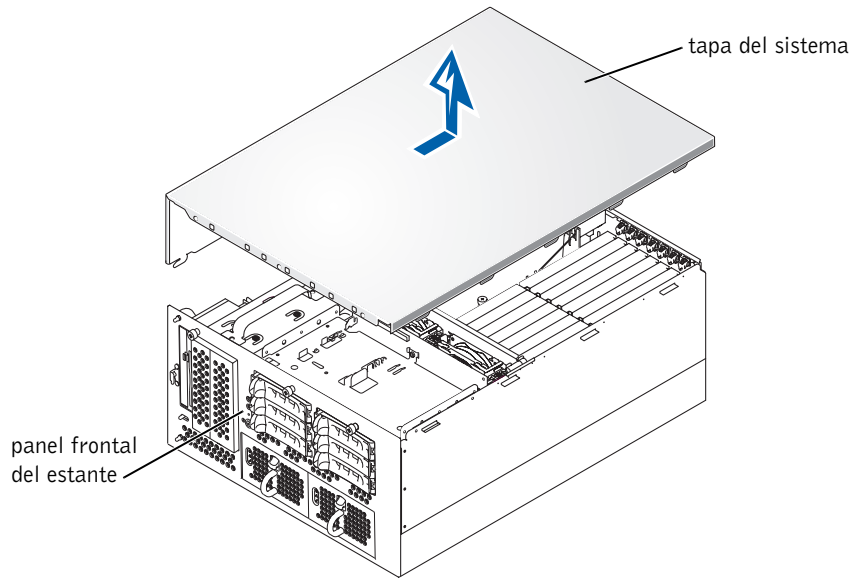
- 1 Desmonte la solapa y colóquela a un lado:
  - a Con la llave del sistema, desbloquee el panel biselado.
  - b Saque el bisel del sistema de forma que quede perpendicular al mismo (consulte la Figura 5-4).
  - c afloje los tornillos mariposa para soltar el bisel (consulte la Figura 5-4).
  - d Saque el bisel del chasis.

**Figura 5-4. Extracción o colocación del bisel frontal**



- 2 Retire la tapa del sistema y colóquela a un lado (consulte la Figura 5-5):
  - a Afloje los tres tornillos mariposa de la parte frontal del sistema (consulte la Figura 5-5).

**Figura 5-5. Desmontaje de la tapa del sistema**



- b Deslice la tapa posterior del sistema y sujétela por ambos extremos (consulte la Figura 5-5).
    - c Levante con cuidado la tapa del sistema y apártela a un lado.
- 3 Coloque una etiqueta en cada unidad de disco duro indicando su ubicación en el chasis.
- 4 Extraiga las unidades de disco duro del sistema.
- 5 Extraiga los 13 tornillos Torx T-10 que sujetan el panel frontal al chasis.
- 6 Levante el panel frontal del estante y retírelo del chasis. Apártelo a un lado.

## Montaje del panel para el lateral izquierdo de la torre

**NOTA:** tal vez sea más cómodo colocar el chasis verticalmente en la posición de torre mientras instala el panel del lateral izquierdo.

Coloque el panel del lateral izquierdo de la torre en posición con el extremo posterior separado 12,7 milímetros (0,5 pulgadas) de la parte posterior del chasis y, a continuación, deslice el panel lateral hacia el panel frontal hasta que se detenga.

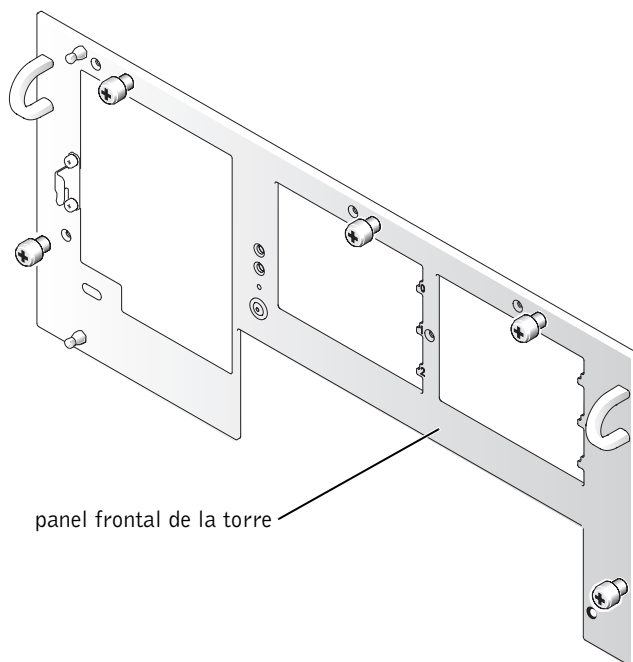
**NOTA:** tal vez tenga que inclinar ligeramente el chasis con el fin de hacer hueco para instalar el panel del lateral izquierdo.

Compruebe si el panel está a ras del frontal del chasis del sistema.

## Instalación del panel frontal de la torre

- 1 Instale el panel frontal de la torre en la parte frontal del chasis (consulte la Figura 5-6) y sujételo con los 16 tornillos Torx T-10.
- 2 Vuelva a instalar las unidades de disco duro en sus ranuras correspondientes.

**Figura 5-6. Montaje del panel frontal de la torre**



## Instalación de la solapa, las patas y la cubierta

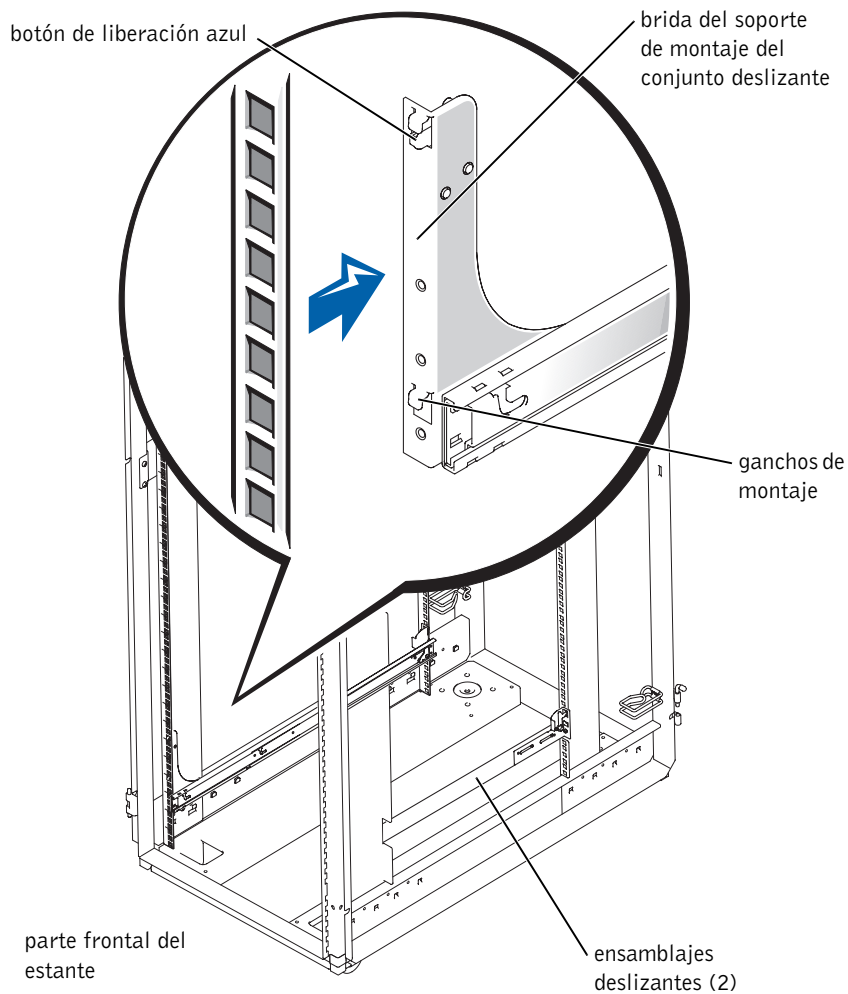
- 1 Tumbé el sistema sobre su lado izquierdo.
- 2 Vuelva a montar la cubierta del sistema.
- 3 Coloque una pata metálica en el orificio de cada esquina y fíjela con un tornillo Phillips de cabeza hexagonal de 6-32 x 0,25 pulgadas.
- 4 Vuelva a colocar el bisel:
  - a Alinee los dos tornillos de mariposa con los orificios de montaje de la parte frontal del sistema (consulte la Figura 5-4).
  - b Apriete los tornillos de mariposa para soltar el bisel (consulte la Figura 5-4).
  - c Mueva el panel biselado hasta que quede bien encajado.
  - d Con la llave del sistema, bloquee el panel biselado.

## Desmontaje de los conjuntos deslizantes

- 1 En la parte frontal del armario del estante, localice el botón de liberación azul situado en una de las bridas del soporte de montaje del conjunto deslizante (consulte la Figura 5-7).
- 2 Desde la parte frontal del armario del estante, presione en el botón de liberación azul, levántelo y tire del conjunto deslizante hacia atrás aproximadamente dos centímetros para separarlo de la guía vertical delantera hasta que la brida del soporte de montaje y sus ganchos de montaje se separen de los orificios cuadrados de la guía vertical delantera (consulte la Figura 5-7).
- 3 Repita el paso 2 en la parte posterior del armario para este conjunto deslizante.
- 4 Repita los pasos del 1 al 3 para el ensamblaje deslizante del otro lateral del estante.
- 5 Coloque la extensión para tendido de cables, la bandeja para cables, los conjuntos deslizantes y todo el material de sujeción en una caja. Coloque una etiqueta en la caja indicando que se trata de un kit de montaje en estante el modelo del sistema que ha desmontado del estante.



**Figura 5-7. Desmontaje de los conjuntos deslizantes**



## Colocación de las puertas del estante

Para volver a colocar las puertas, consulte los procedimientos en la documentación suministrada con el armario del estante.

La conversión en torre de su sistema ya está terminada.

